



### Multi-chamber ejectors



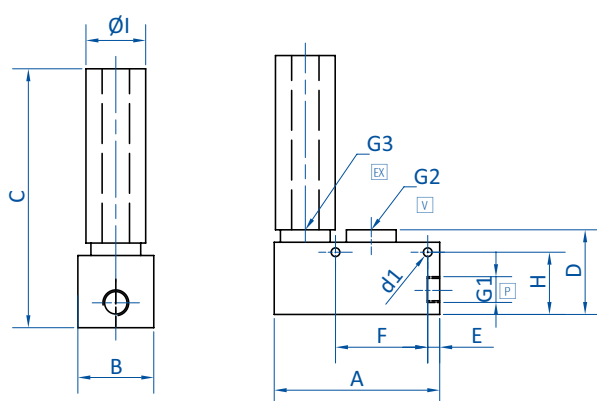
#### Product notes

- > Handling of air-permeable products, or for high leakages
- > High suction power for short evacuation times and fast vacuum build-up
- > Low space requirements due to small construction size (65.310 - 65.330)
- > Noise-optimized operation due to open silencer
- > Industry examples: Packaging and printing

#### Technical data

Item no.	Optimal operating pressure [bar (psi)]	Max. operating pressure [bar (psi)]	Final vacuum [%]	Suction power [NI/min]	Air consumption at 6 bar (87 psi) [NI/min]	Evacuation time 0 to 70 % [s/l]	Weight [g]
65.330	6 (87)	7 (101.5)	85	250	144	0.5	169

#### Dimensions



65.330

P = Compressed air connection  
 V = Vacuum connection  
 EX = Exhaust  
 BO = Compressed air connection for blow-off

Item no.	G1	G2	G3	G4	A [mm]	B [mm]	C [mm]	D [mm]	d1 [mm]	E [mm]	F [mm]	H [mm]	Ø I [mm]	J [mm]
65.330	G1/8	G1/2	G3/8	--	67	45	114	44	3.7	10.5	46.5	13.3	24	--