



Control technology | Vacuum regulators

Vacuum regulators with external leakage

Vacuum regulators with external leakage

Safety control valve particularly for oil-free rotary vane pumps



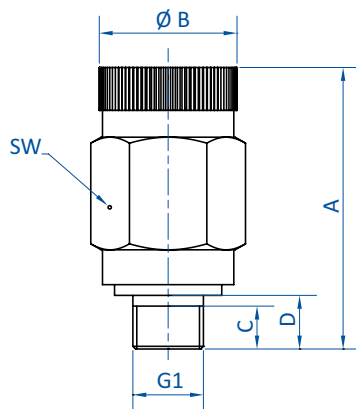
Product notes

- > Setting a constant vacuum level when handling workpieces with varying porosities or leakage
- > Suitable as safety valve if dry-running rotary vane pumps are to run continuously at maximum vacuum
- > Control of vacuum through automatic venting when a preset vacuum level is reached
- > Manual adjustment via fine thread, mechanical opening via spring load
- > Turn the knob towards the plus (+) to increase the vacuum threshold value at which the regulator will start drawing in outside air. Turn the knob towards the minus (-) to reduce this value.
- > On request suitable as safety valve for side channel blowers to limit the max. vacuum level (diameter of regulator and blower inlet should be identical)

Technical data

Item no.	Maximum control volume [m ³ /h]	Regulating range [mbar (psi)]	Operating temperature [°C (°F)]	Weight [g]
73.002	16	-999 - 0 (-14.5 - 0)	-20 - 80 (-4 - 176)	270

Dimensions



73.002

Item no.	G1	A [mm]	Ø B [mm]	C [mm]	D [mm]	SW
73.002	G1/4	53 - 63	25	9	10	25