



### Air-nipper mounting brackets



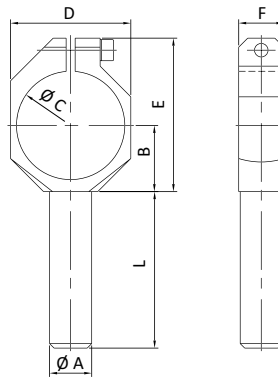
#### Product description

> Mounting brackets to fasten air nippers to angle clamps

#### Technical data

Item no.	Clamping- $\emptyset$ [mm]	Weight [g]	Air nippers
GT-NR10H	14	38	GT-NR10L (p.263)
GT-NR20H	20	71	GT-NR20 (p.263)
GT-NR30H	20	79	GT-NR30 (p.263)
GT-NR50H	20	149	GT-NR50 (p.263)

#### Dimensions





### Mounting clamps for air nippers



Air nipper GT-NR20 with mounting clamp

#### Product description

- > Space-saving assembly of air nippers on extrusions and special machines

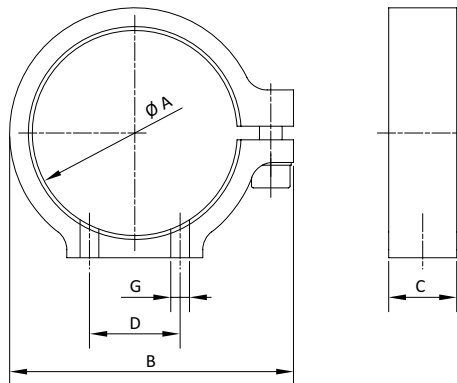
#### Notes

- > The clamps are part of air nipper fittings GT-NR10ST2 to GT-NR30ST2

#### Technical data

Item no.	Weight [g]	Air nippers
GT-NR10S	36	GT-NR10L (p.263)
GT-NR20S	39	GT-NR20 (p.263)
GT-NR30S	46	GT-NR30 (p.263)

#### Dimensions



Item no.	Ø A [mm]	B [mm]	C [mm]	D [mm]	G
GT-NR10S	36	54	15	20	M5
GT-NR20S	45	62.5	15	20	M5
GT-NR30S	56	73.5	15	20	M5



# Nipper technology | Accessories

Clamps with angle brackets - for direct mounting

## Clamps with angle brackets - for direct mounting

Mounting air nippers on EOAT or special machines



① = Clamp for air nippers ② = Angle bracket



Air nipper GT-NR20 assembled on extrusion SLine

### Product description

- > Mounting bracket for installation on grippers or special machines
- > Easy positioning of the air nipper thanks to 2x 90° adjustable design
- > Versatile thanks to alternative installation using slot nuts or threaded shaft holder

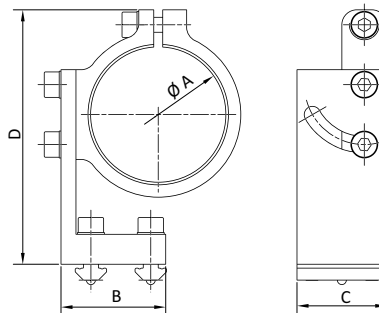
### Ordering notes

- > Angular fitting (pos. 2) also available separately on request
- > Slot nuts and mounting screws for installation on FIPA SLine and MLine extrusions included in scope of delivery

### Technical data

Item no.	Weight [g]	Air nippers
GT-NR10ST2	116	GT-NR10L (p.263)
GT-NR20ST2	119	GT-NR20 (p.263)
GT-NR30ST2	125	GT-NR30 (p.263)
GT-NR50ST2	165	GT-NR50 (p.263)

### Dimensions



Item no.	Ø A [mm]	B [mm]	C [mm]	D [mm]
GT-NR10ST2	36	35	30	81
GT-NR20ST2	45	35	30	87.5
GT-NR30ST2	56	35	30	90.5
GT-NR50ST2	75	35	30	109.5



Gripper clamps



Gripping of sprue during cutting process

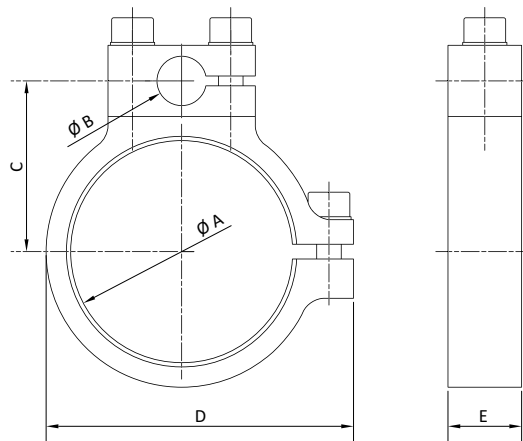
**Product description**

- > Mounting of the grippers to the air nippers for holding the sprue during the cutting process
- > Optimal adjustment by using elbow gripper arms

**Technical data**

Item no.	Weight [g]	Air nippers
GT-NR10GR	57	GT-NR10L (p.263)
GT-NR20GR	60	GT-NR20 (p.263)
GT-NR30GR	66	GT-NR30 (p.263)

**Dimensions**



Item no.	Ø A [mm]	Ø B [mm]	C [mm]	D [mm]	E [mm]
GT-NR10GR	36	10	30.25	54	15
GT-NR20GR	45	10	34.75	62.5	15
GT-NR30GR	56	10	40.25	73.5	15