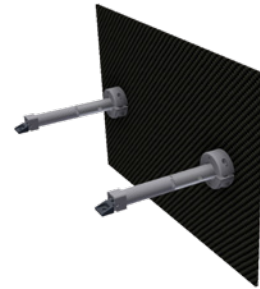




### Clamping rings for clamping elements



SUITABLE FOR PLATE BASED EOAT

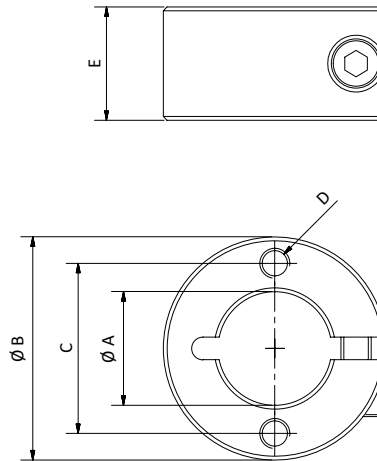
#### Product description

> Elements for mounting gripper components having a clamping shaft to plate based EOAT

#### Technical data

Item no.	Weight [g]
GR06.060	16
GR06.061	24
GR06.062	82
GR06.063	138

#### Dimensions



Item no.	Ø A [mm]	Ø B [mm]	C [mm]	D	E [mm]
GR06.060	10	29	20	M4	12
GR06.061	14	34	25	M5	15
GR06.062	20	49	32	M6	22.5
GR06.063	30	59	45	M8	30