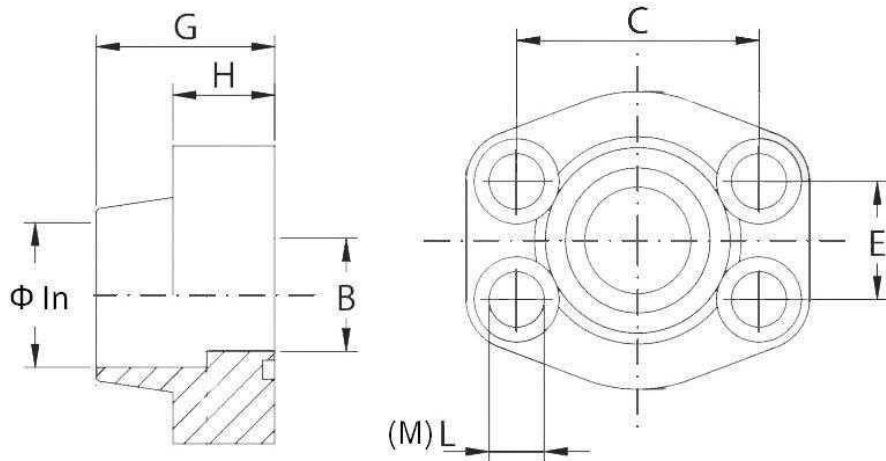


BRIDA SAE HIDRAFLUID BRIDA SOLDABLE HEMBRA GAS



ITEM	Serie	Φ in	SIZE	OR 1	ΦL	C	E	G	M
BWG30001	3000	21.6	1/2"	18.64X3.53	9	38,10	17,4	36	M8x30
BWG30002	3000	17.5	1/2"	18.64X3.53	9	38,10	17,4	36	M8x30
BWG30003	3000	27.2	3/4"	24.99X3.53	11	47,63	22,2	36	M10x35
BWG30004	3000	3	1	32.92X3.53	11	52,37	26,1	38	M10x35
BWG30005	3000	42.8	1"1/	37.70X3.53	11,5	58,72	30,1	41	M10x40
BWG30006	3000	48.6	1"1/	47.22X3.53	13,5	69,85	35,7	45	M12x45
BWG30007	3000	6	2	56.74X3.53	13,5	77,77	42,8	45	M12x45
BWG30008	3000	76.6	2"1/	-	13,5	88,90	50,8	50	M12x45
BWG30009	3000	90.5	3	-	17,5	106,38	61,9	50	M16x50
BWG30010	3000	103	3"1/	-	17,5	120,65	69,8	48	M16x50
BWG60001	6000	17.5	1/2"	18.64X3.53	9	40,49	18,2	36	M8x30
BWG60002	6000	21.6	1/2"	18.64X3.53	9	40,49	18,2	36	M8x30
BWG60003	6000	27.2	3/4"	24.99X3.53	11	50,80	23,8	35	M10x40
BWG60004	6000	3	1	32.92X3.53	13	57,15	27,7	42	M12x45
BWG60005	6000	42.8	1"1/	37.70X3.53	15	66,68	31,7	45	M14x45
BWG60006	6000	48.6	1"1/	47.22X3.53	17	79,38	36,5	50	M16x50
BWG60007	6000	6	2	56.74X3.53	21	96,82	44,4	65	M20x70