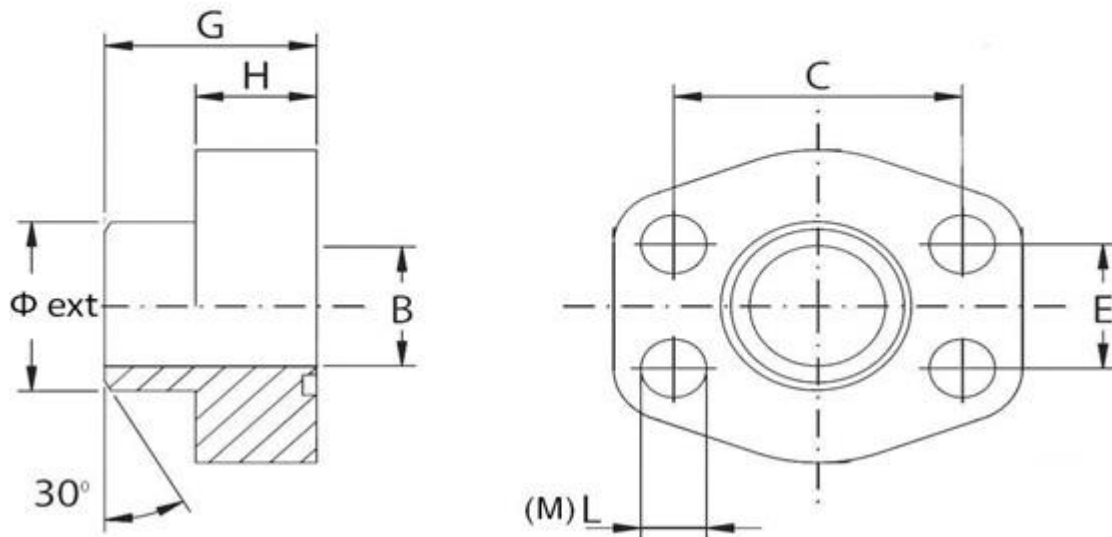


BRIDA SAE HIDRAFLUID

BRIDA SOLDABLE MACHO GAS



ITEM	SERIE	Φ_{ext}	SIZE	ΦB	ΦL	C	E	G	M
BMSG30001	3000	21.5	1/2"	13	9	38,10	17,48	36	M8x30
BMSG30002	3000	17.5	1/2"	13	9	38,10	17,48	36	M8x30
BMSG30003	3000	28	3/4"	19	11	47,63	22,23	36	M10x35
BMSG30004	3000	34	1"	25	11	52,37	26,19	38	M10x35
BMSG30005	3000	42.8	1"1/4	32	11,5	58,72	30,18	41	M10x40
BMSG30006	3000	48.6	1"1/2	38	13,5	69,85	35,71	44	M12x45
BMSG30007	3000	61	2"	51	13,5	77,77	42,88	45	M12x45
BMSG30008	3000	77	2"1/2	63	13,5	88,90	50,8	50	M12x45
BMSG30009	3000	92	3"	73	17,5	106,38	61,93	50	M16x50
BMSG30010	3000	103	3"1/2	89	17,5	120,65	69,85	48	M16x50
BMSG60001	6000	21.5	1/2"	13	9	40,49	18,24	36	M8x30
BMSG60002	6000	17.5	1/2"	13	9	40,49	18,24	36	M8x30
BMSG60003	6000	28	3/4"	19	11	50,80	23,8	35	M10x40
BMSG60004	6000	34	1"	25	13	57,15	27,76	41	M12x45
BMSG60005	6000	42.8	1"1/4	32	15	66,68	31,75	44	M14x45
BMSG60006	6000	48.6	1"1/2	38	17	79,38	36,5	55	M16x50
BMSG60007	6000	61	2"	51	21	96,82	44,45	65	M20x70