

Simplex filter

EG1

With threaded connection, rated pressure up to 16 bar (232 psi)
Connection sizes: G1/2" to G2", cast design

1. Features

High-performance filters for modern systems

- Entry-level model among MAHLE Industrial Filtration products
- Used as a protective or safety filter in shipping and industry
- Simple, robust design
- Compact design
- Minimal pressure drop through optimal flow design
- Elements with high differential pressure stability and dirt holding capacity
- Filter ratings from 25 to 5000 μm absolute, other ratings on request
- Suitable for use with fluids of all types
- Easy to service
- Worldwide distribution



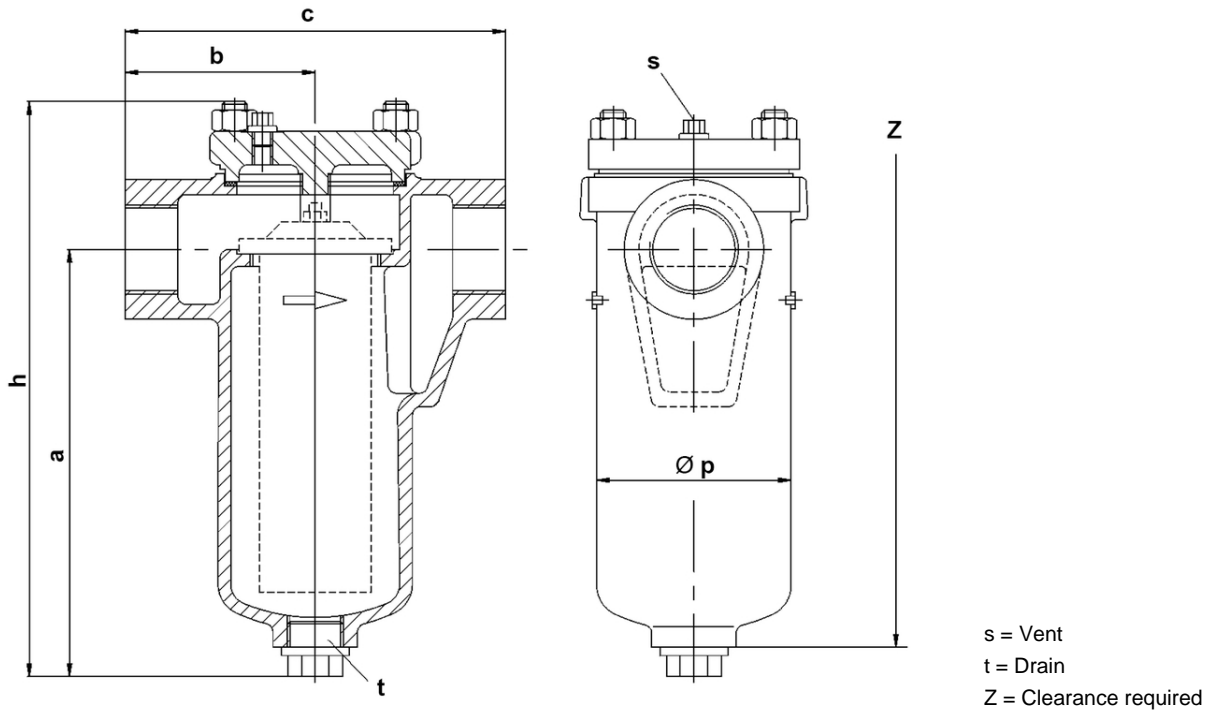
2. Operating principle

- The medium flows through the filter element (perforated, smooth or pleated) from the inside to the outside.
- Contaminants are trapped on the inside of the element.
- The filtration process is interrupted when a settable fouling threshold is reached.
- The filter is opened and the element removed for cleaning.
- Simplex filters require no maintenance apart from cleaning the filter elements and inspecting the seals.

3. Technical Data

Connection:	G1/2" to G2"
Material:	Nodular cast iron 40
Max. operating pressure:	16 bar
Test overpressure:	24 bar
Max. operating temperature:	120 °C
Filter element:	Screen basket (perforated, smooth or pleated)
Filter rating:	25 to 5000 µm absolute, other ratings on request

4. Dimensions



All dimensions except "DN", "s" and "t" in mm.

Type	DN	a	b	c	h	Ø p	s	t	Z	Weight [kg]
AE44T210A01	G1/2	131	60	125	185	70	-	G3/8	245	2.5
AE45T210A02	G3/4	131	65	130	185	70	-	G3/8	275	3.0
AE46T210A03	G1	150	75	150	215	90	G1/8	G3/4	315	5.0
AE47T210A04	G1 1/4	201	90	180	265	90	G1/8	G3/4	420	6.0
AE48T210A05	G1 1/2	263	100	235	340	126	G1/4	G1	535	11.0
AE49T210A05	G2	263	100	235	340	126	G1/4	G1	535	11.0

6. Type number key

Type number key with selection example for EG1 simplex filter with G½" to G2" threaded connection

Main product group

A Simplex filter, cast design

Series

E Simplex filter with filter element

Inlet and outlet connections

- 44 G½" threaded connection
- 45 G¾" threaded connection
- 46 G1" threaded connection
- 47 G1¼" threaded connection
- 48 G1½" threaded connection
- 49 G2" threaded connection

Filter connection standard + rated pressure

T PN 16 bar

Position of main connections

2 Opposite each other on the same axis

Cover fastening

1 Stud bolts or hexagon screws

Options

- 0 Standard version
- 2 Electric cartridge heater
- 3 Steam/thermal cartridge heater
- 7 Version without non-ferrous metals

Type of inner assembly

A Filter elements for simplex filter

Inner assembly size

XX

Housing version

2 Nodular cast iron

Nozzle material

0 No material specified (not assigned)

Number for special types or design features

XX

00

A E 45 T 2 1 0 A 02 2 0 00