



Profile end connectors 90°



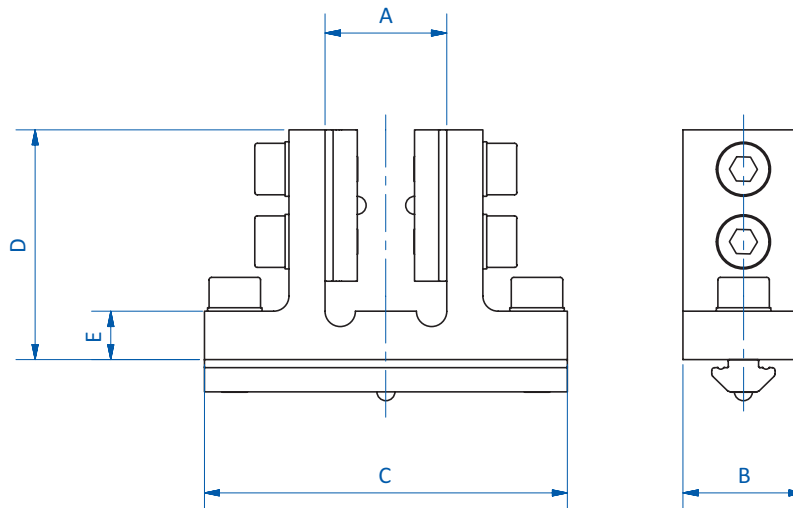
Product notes

- > Rigid 90° connection between two extrusions
- > No thread cutting required

Technical data

Item no.	Suitable for extrusion system	Weight [g]
GR-XL01.025	XLine	406

Dimensions



Item no.	A [mm]	B [mm]	C [mm]	D [mm]	E [mm]
GR-XL01.025	40	40	110	47	12