



# Extrusion systems | Connectors

## Profile end connectors 90°

### Profile end connectors 90°



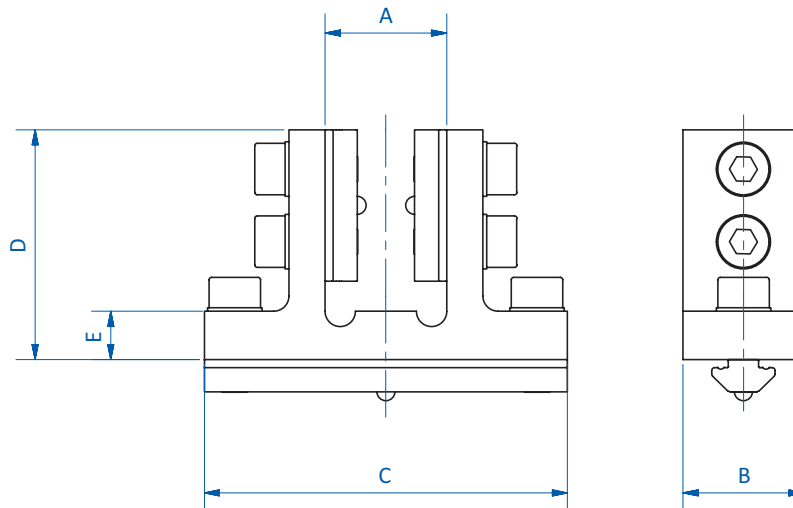
#### Product notes

- > Rigid 90° connection between two extrusions
- > No thread cutting required

#### Technical data

Item no.	Suitable for extrusion system	Weight [g]
GR-XL01.026	XLine	396

#### Dimensions



Item no.	A [mm]	B [mm]	C [mm]	D [mm]	E [mm]
GR-XL01.026	80	40	150	47	12