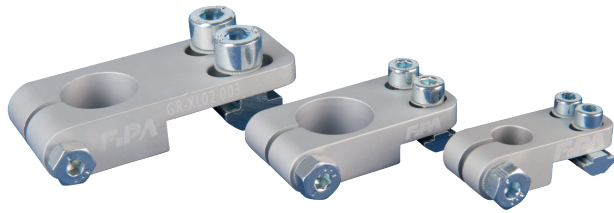




### Short angle clamps



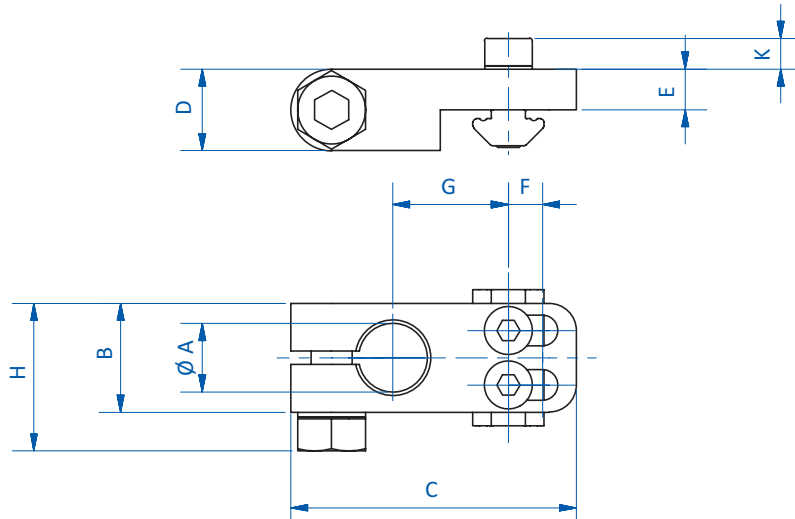
#### Product notes

- > For 90° mounting of gripper components
- > Slotted holes allow for use with profiles from 20 mm to 30 mm in size

#### Technical data

Item no.	Suitable for extrusion system	Weight [g]
GR-XL02.005	XLine	122

#### Dimensions



Item no.	$\varnothing A$ [mm]	B [mm]	C [mm]	D [mm]	E [mm]	F [mm]	G [mm]	H [mm]	K [mm]
GR-XL02.005	30	35	82	20	10	10	37	40.7	8.8