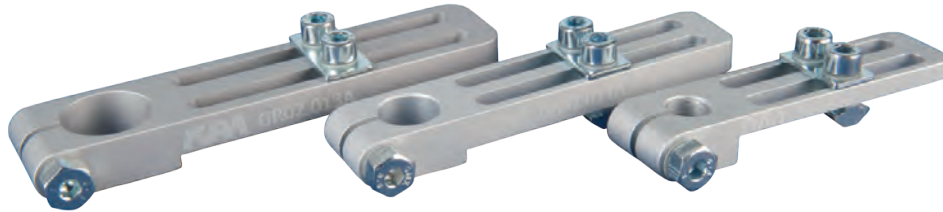




Long angle clamps



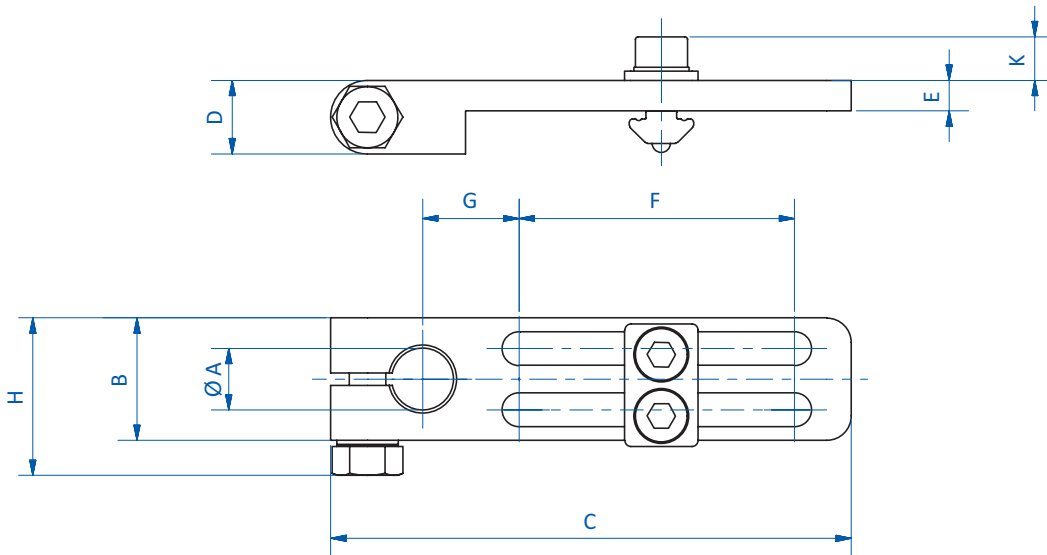
Product notes

- > For 90° mounting of gripper components
- > Allows for adjustment parallel and perpendicular to the profile frame

Technical data

Item no.	Suitable for extrusion system	Weight [g]
GR-XL02.013	XLine	140

Dimensions



Item no.	Ø A [mm]	B [mm]	C [mm]	D [mm]	E [mm]	F [mm]	G [mm]	H [mm]	K [mm]
GR-XL02.013	20	30	150	15	7.5	100	21	35.7	10.3