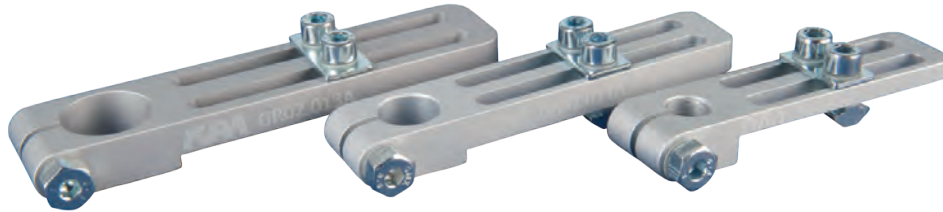




### Long angle clamps



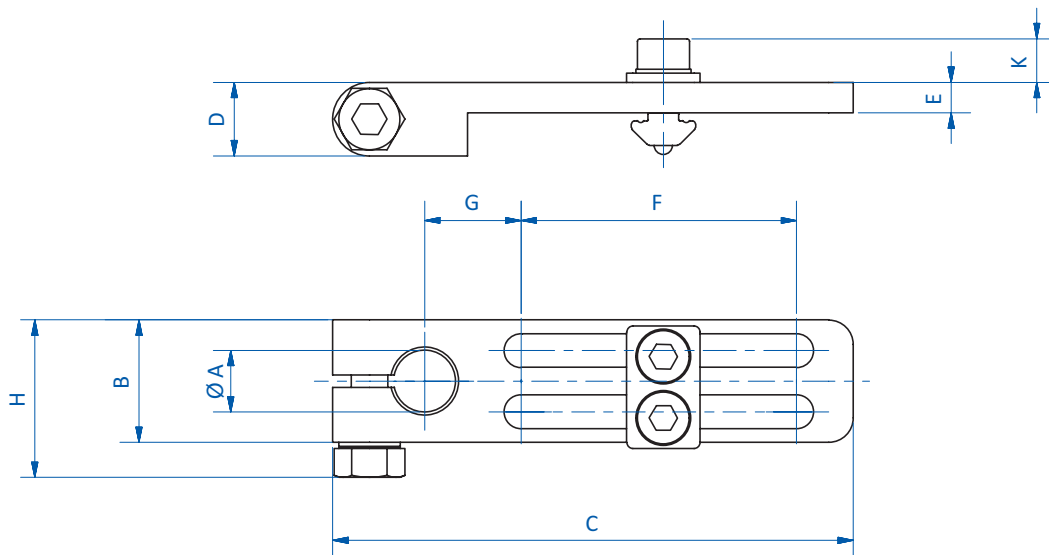
#### Product notes

- > For 90° mounting of gripper components
- > Allows for adjustment parallel and perpendicular to the profile frame

#### Technical data

Item no.	Suitable for extrusion system	Weight [g]
GR-XL02.016	XLine	213

#### Dimensions



Item no.	Ø A [mm]	B [mm]	C [mm]	D [mm]	E [mm]	F [mm]	G [mm]	H [mm]	K [mm]
GR-XL02.016	30	36	162	20	20	100	25.5	40.7	10.3