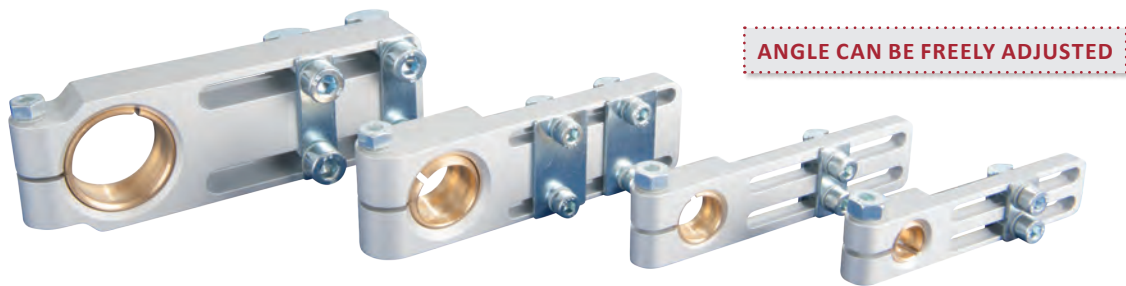




Extrusion systems | Clamps for shafts

Long angle clamps – with ball joint

Long angle clamps – with ball joint



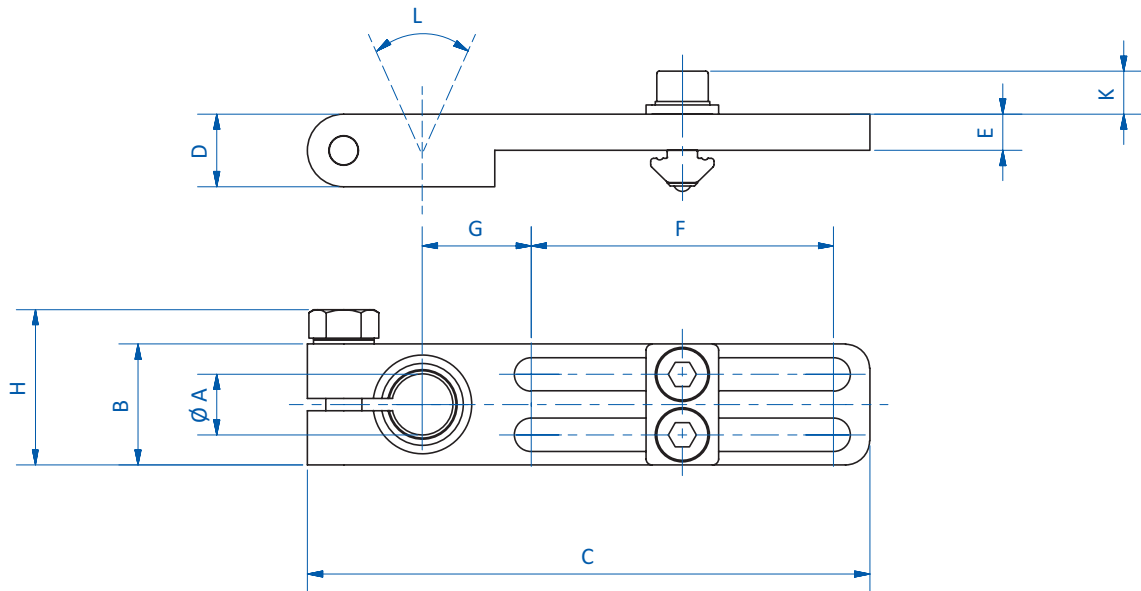
Product notes

- > Ball joint enables variable angular adjustment of gripper components
- > Allows for adjustment parallel and perpendicular to the profile frame

Technical data

Item no.	Suitable for extrusion system	Angular adjustment [°]	Weight [g]
GR-XL02.038	XLine	28	260

Dimensions



Item no.	Ø A [mm]	B [mm]	C [mm]	D [mm]	E [mm]	F [mm]	G [mm]	H [mm]	K [mm]	L [°]
GR-XL02.038	30	45	136	20	20	70	30	45.7	10.3	28