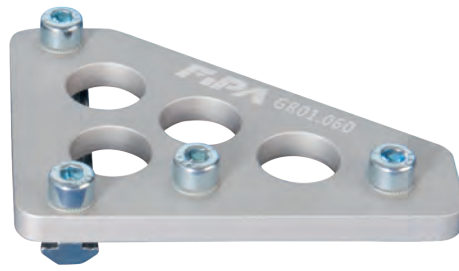




Extrusion systems | Connectors

Joining plates 90°

Joining plates 90°



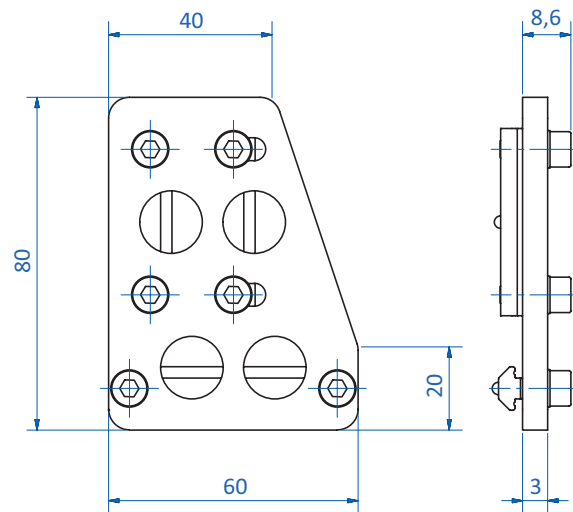
Product notes

> Joining plate for 90° connection of two profiles

Technical data

Item no.	Suitable for extrusion system	Weight [g]
GR01.061	SLine / MLine	108

Dimensions



GR01.061