



Corner joint plates 90° to 130°



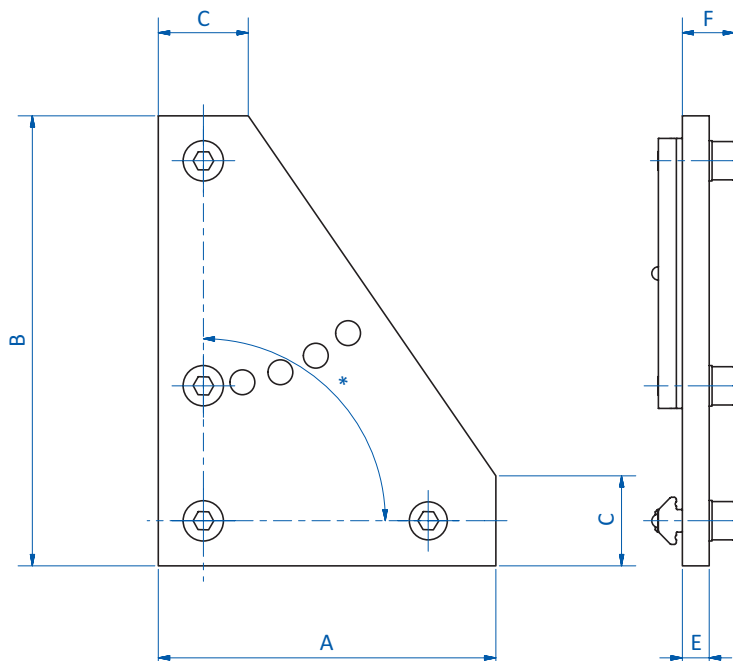
Product notes

> Joining plates for connection of two profiles with a defined angle

Technical data

Item no.	Suitable for extrusion system	Angle [°]	Weight [g]
GR01.064	MLine	90°, 100°, 110°, 120°, 130°	131

Dimensions



* = Angle

Item no.	A [mm]	B [mm]	C [mm]	E [mm]	F [mm]
GR01.064	75	100	25	3	8.6