



Profile end connectors 90°



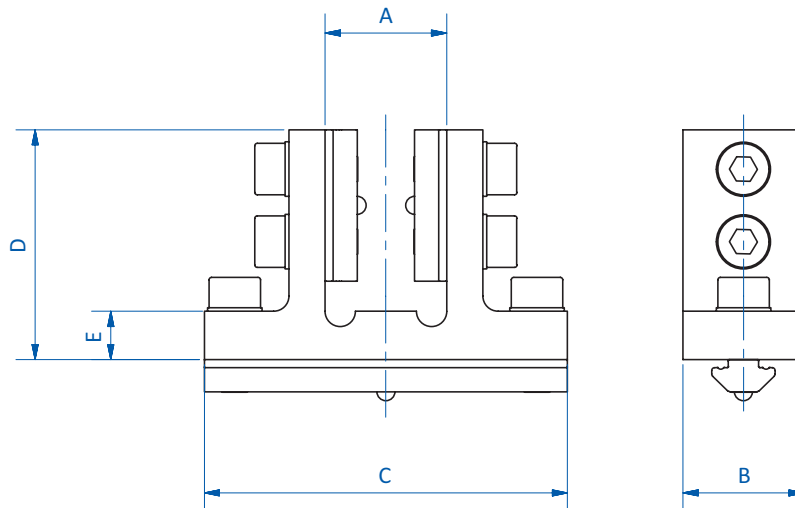
Product notes

- > Rigid 90° connection between two extrusions
- > No thread cutting required

Technical data

Item no.	Suitable for extrusion system	Weight [g]
GR01.120	SLine / MLine	92

Dimensions



Item no.	A [mm]	B [mm]	C [mm]	D [mm]	E [mm]
GR01.120	20	20	60	38	8