



Profile end connectors 90°



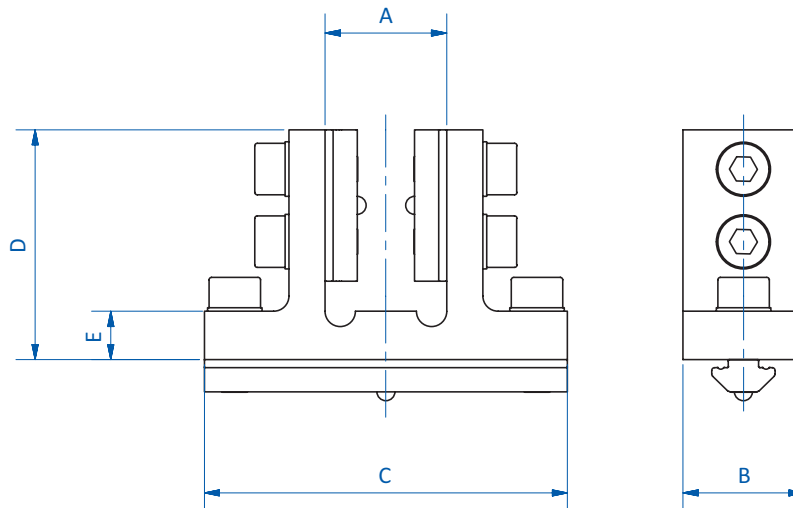
Product notes

- > Rigid 90° connection between two extrusions
- > No thread cutting required

Technical data

| Item no. | Suitable for extrusion system | Weight [g] |
|----------|-------------------------------|------------|
| GR01.123 | SLine / MLine | 100 |

Dimensions



| Item no. | A [mm] | B [mm] | C [mm] | D [mm] | E [mm] |
|----------|--------|--------|--------|--------|--------|
| GR01.123 | 50 | 25 | 90 | 37 | 7 |