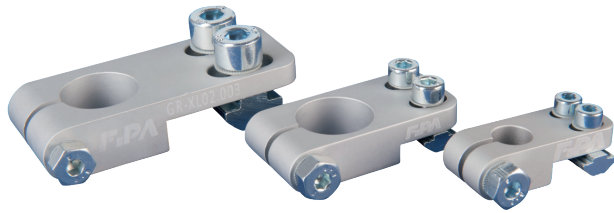




Short angle clamps



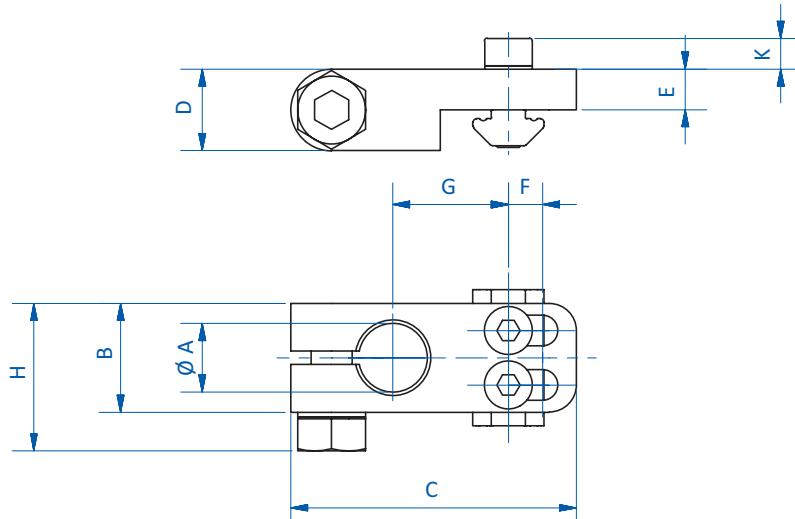
Product notes

- > For 90° mounting of gripper components
- > Slotted holes allow for use with profiles from 20 mm to 30 mm in size

Technical data

| Item no. | Suitable for extrusion system | Weight [g] |
|-----------|-------------------------------|------------|
| GR02.001A | SLine / MLine | 26 |

Dimensions



| Item no. | Ø A [mm] | B [mm] | C [mm] | D [mm] | E [mm] | F [mm] | G [mm] | H [mm] | K [mm] |
|-----------|----------|--------|--------|--------|--------|--------|--------|--------|--------|
| GR02.001A | 10 | 16 | 42 | 12 | 6 | 5 | 17 | 21.7 | 4.5 |