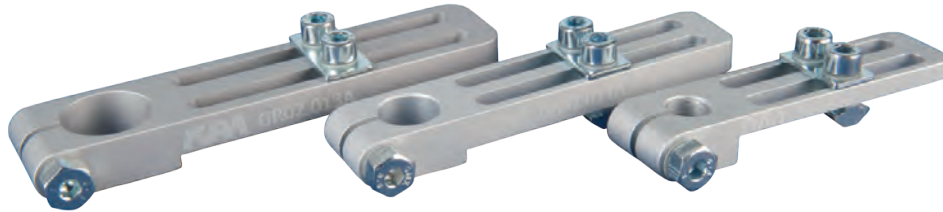




Long angle clamps



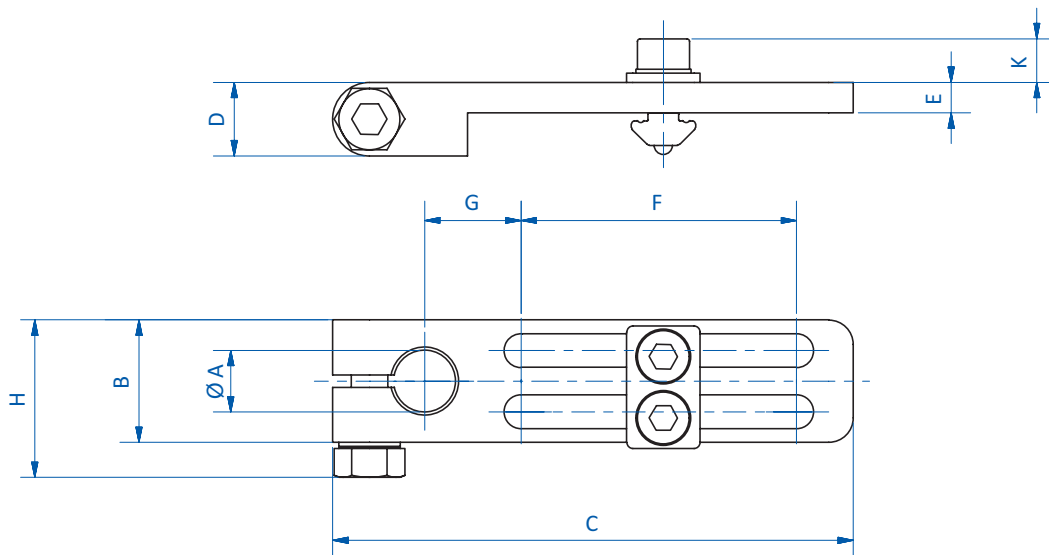
Product notes

- > For 90° mounting of gripper components
- > Allows for adjustment parallel and perpendicular to the profile frame

Technical data

| Item no. | Suitable for extrusion system | Weight [g] |
|----------|-------------------------------|------------|
| GR02.016 | SLine / MLine | 150 |

Dimensions



| Item no. | Ø A [mm] | B [mm] | C [mm] | D [mm] | E [mm] | F [mm] | G [mm] | H [mm] | K [mm] |
|----------|----------|--------|--------|--------|--------|--------|--------|--------|--------|
| GR02.016 | 30 | 35 | 122 | 20 | 10 | 65 | 27 | 40.7 | 7.1 |