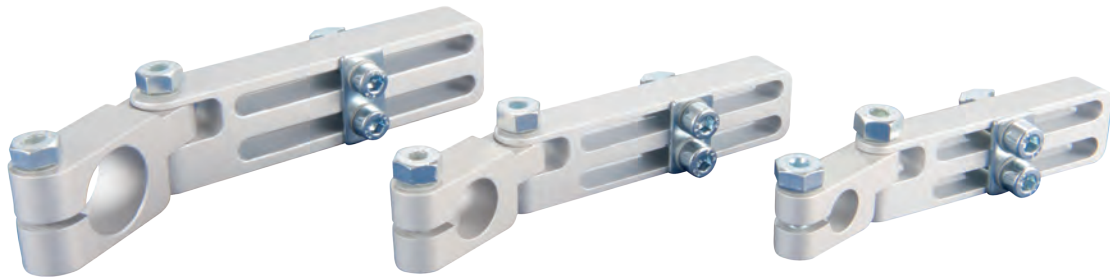




Extrusion systems | Clamps for shafts

Long angle clamps – with swivel head

Long angle clamps – with swivel head



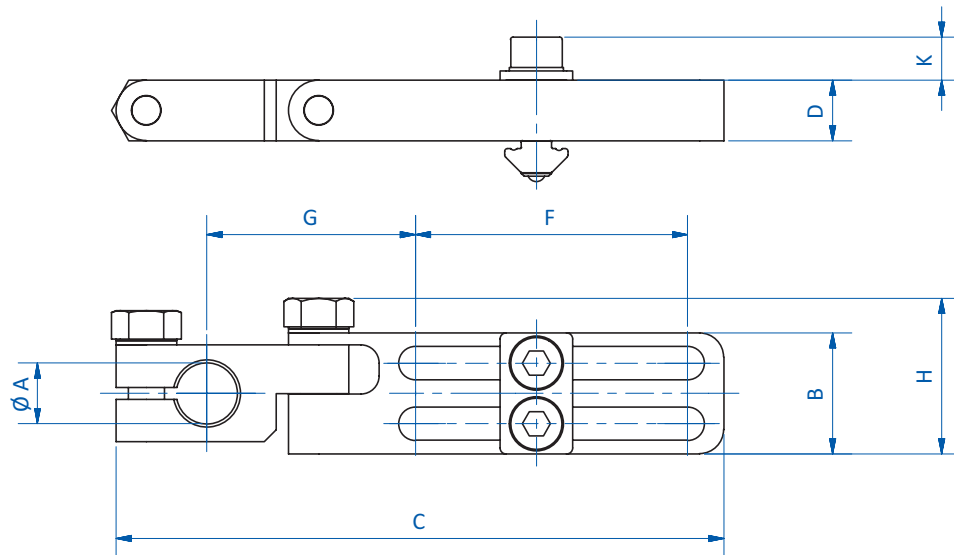
Product notes

- > Swivel head allows for angle variable installation of gripper components
- > Allows for adjustment parallel and perpendicular to the profile frame

Technical data

Item no.	Suitable for extrusion system	Weight [g]
GR02.028	SLine / MLine	90

Dimensions



Item no.	Ø A [mm]	B [mm]	C [mm]	D [mm]	F [mm]	G [mm]	H [mm]	K [mm]
GR02.028	20	25	136	15	65	44	30.7	7.1