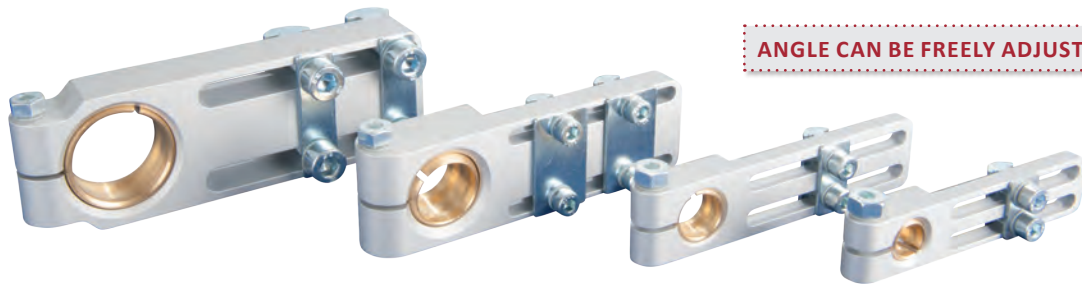




# Extrusion systems | Clamps for shafts

## Long angle clamps – with ball joint

Long angle clamps – with ball joint



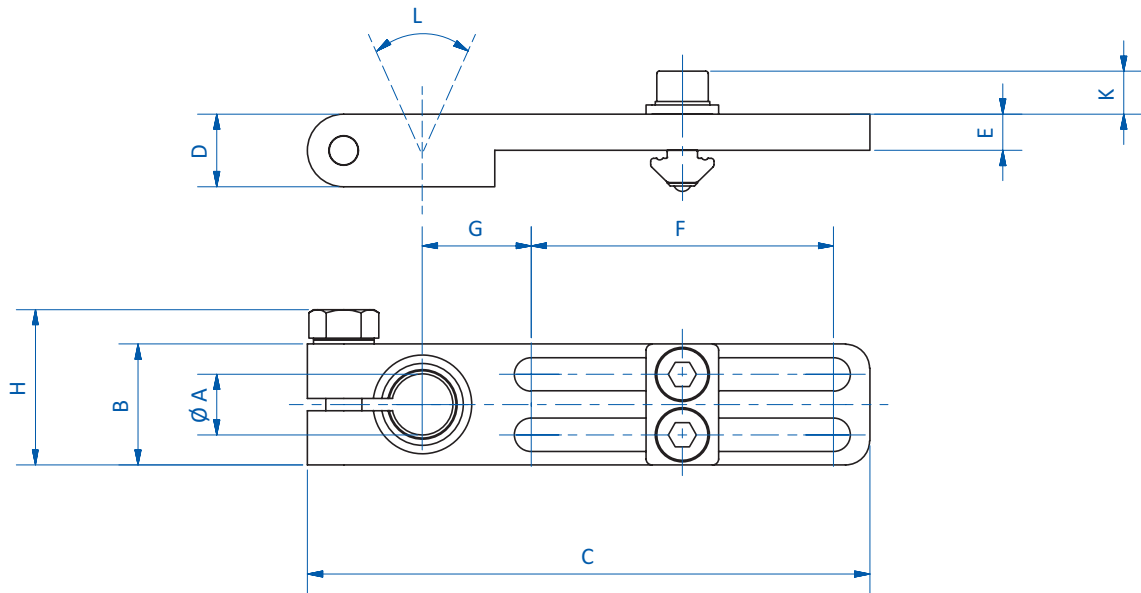
### Product notes

- > Ball joint enables variable angular adjustment of gripper components
- > Allows for adjustment parallel and perpendicular to the profile frame

### Technical data

Item no.	Suitable for extrusion system	Angular adjustment [°]	Weight [g]
GR02.037	SLine / MLine	31	145

### Dimensions



Item no.	Ø A [mm]	B [mm]	C [mm]	D [mm]	E [mm]	F [mm]	G [mm]	H [mm]	K [mm]	L [°]
GR02.037	20	35	115	20	10	60	24	40.7	7.1	31