



Vacuum cup connectors – perpendicular



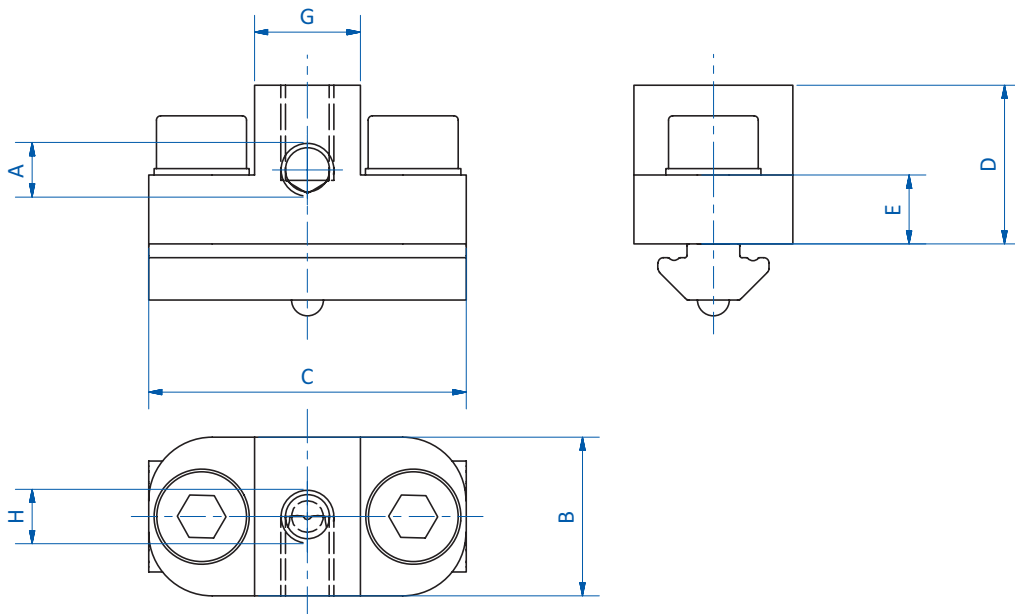
Product notes

- > Compact mounting of vacuum cups to profiles

Technical data

| Item no. | Suitable for extrusion system | Weight [g] |
|----------|-------------------------------|------------|
| GR02.053 | SLine / MLine | 49 |

Dimensions



| Item no. | A | H | B [mm] | C [mm] | D [mm] | E [mm] | G [mm] |
|----------|------|------|--------|--------|--------|--------|--------|
| GR02.053 | G1/4 | G1/4 | 20 | 40 | 25 | 6.5 | 20 |