



Extrusion systems | Mounting of vacuum cups

Vacuum cup connectors – rotatable 360°

Vacuum cup connectors – rotatable 360°



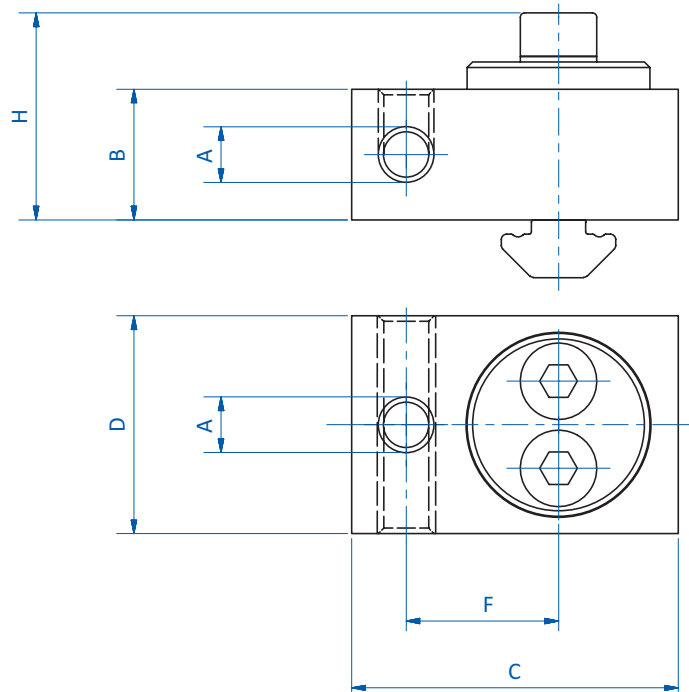
Product notes

- > 360° adjustability
- > Two vacuum ports

Technical data

Item no.	Suitable for extrusion system	Weight [g]
GR02.060	SLine / MLine	24

Dimensions



Item no.	A	B [mm]	C [mm]	D [mm]	F [mm]	H [mm]
GR02.060	M5	12	30	20	14	19