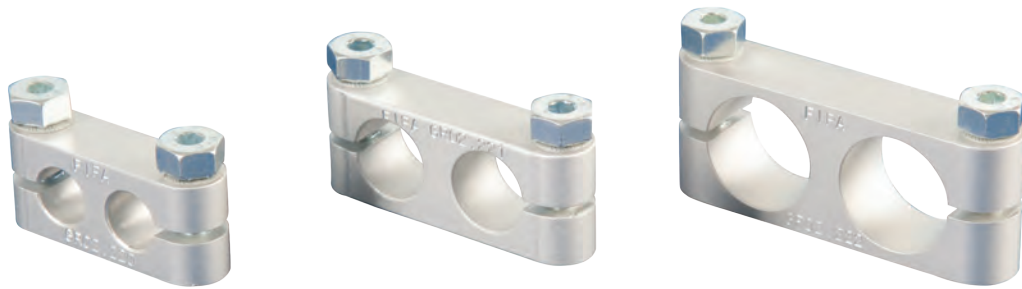




Parallel clamps



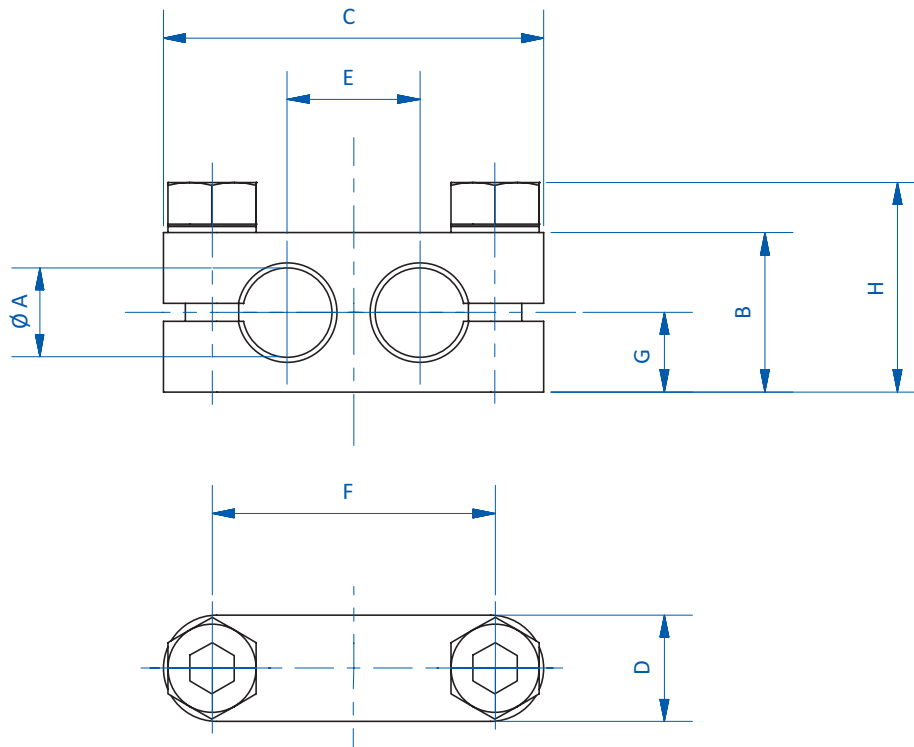
Product notes

- > Parallel connection of two clamping shafts

Technical data

Item no.	Weight [g]
GR02.222	60

Dimensions



Item no.	$\varnothing A$ [mm]	B [mm]	C [mm]	D [mm]	E [mm]	F [mm]	G [mm]	H [mm]
GR02.222	20	25	64	14	26	53	12.5	30.7