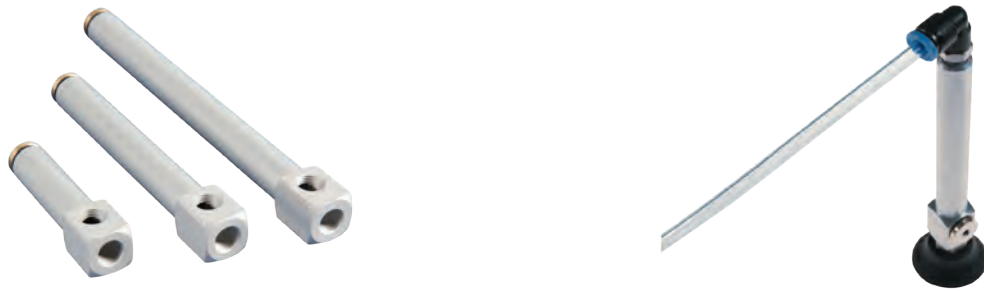




Gripper arms | Suction fingers

Suction fingers for vacuum cups – rigid

Suction fingers for vacuum cups – rigid



Product notes

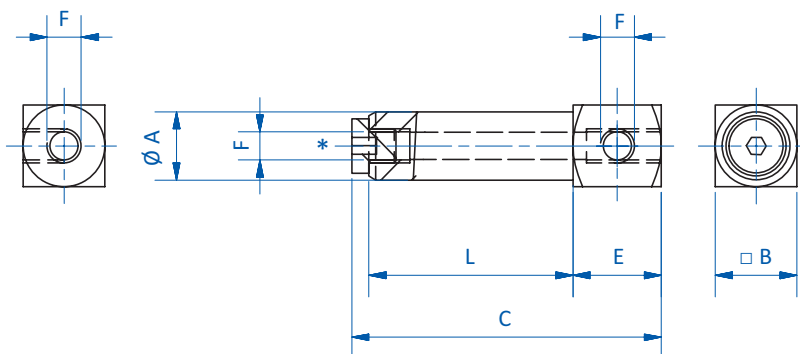
- > Components for mounting vacuum cups
- > Two vacuum ports

Technical data

Dimensions

Item no.	Weight [g]	Dimensions							
		$\varnothing A$ [mm]	F	G	H	$\square B$ [mm]	E [mm]	C [mm]	L [mm]
GR03.003A	22	10	M5	--	--	12	13	105	90

Dimensions



GR03.001A | GR03.002A | GR03.003A | GR03.010A | GR03.011A | GR03.012A