



Gripper arms | Suction fingers

Suction fingers for vacuum cups – rigid

Suction fingers for vacuum cups – rigid

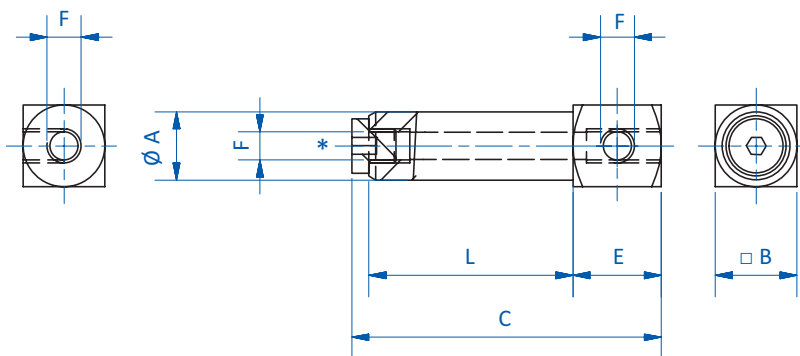


Product notes

- > Components for mounting vacuum cups
- > Two vacuum ports

Technical data		Dimensions							
Item no.	Weight [g]	$\varnothing A$ [mm]	F	G	H	$\square B$ [mm]	E [mm]	C [mm]	L [mm]
GR03.010A	27	14	G1/8	--	--	16	20	67.5	45

Dimensions



GR03.010A