



# Gripper arms | Suction fingers

Suction fingers for vacuum cups – rigid

## Suction fingers for vacuum cups – rigid



### Product notes

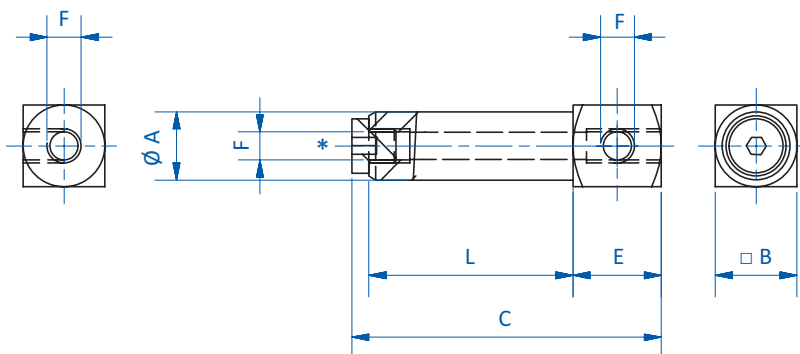
- > Components for mounting vacuum cups
- > Two vacuum ports

### Technical data

### Dimensions

Item no.	Weight [g]	Dimensions							
		$\varnothing A$ [mm]	F	G	H	$\square B$ [mm]	E [mm]	C [mm]	L [mm]
<b>GR03.011A</b>	39	14	G1/8	--	--	16	20	112.5	90

### Dimensions



GR03.001A | GR03.002A | GR03.003A | GR03.010A | GR03.011A | GR03.012A