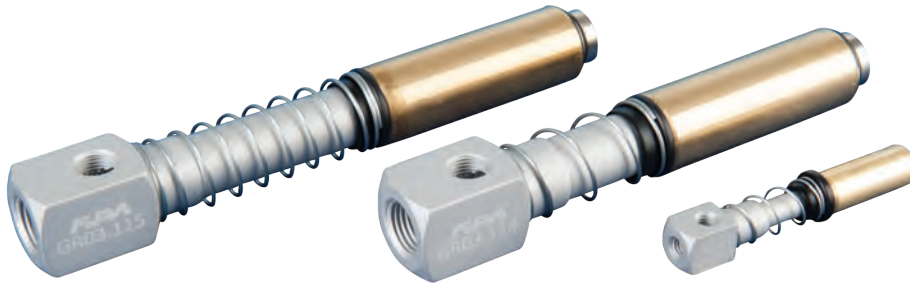




Spring compensated gripper arm for vacuum cups

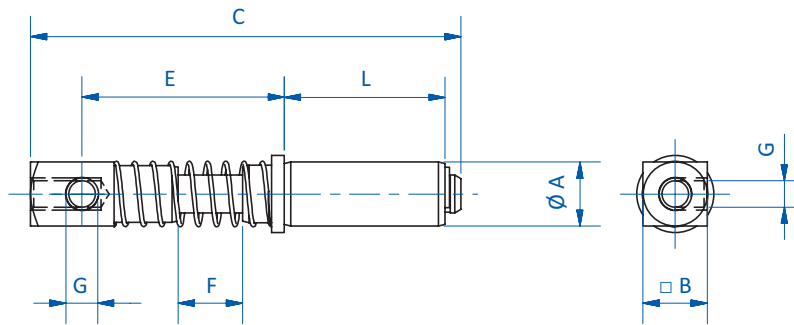


Product notes

- > Spring compensates for variation in ejection stroke
- > Smooth motion due to lubrication-free polymer bearing
- > Only for round vacuum cups

Technical data			Dimensions								
Item no.	Stroke [mm]	Weight [g]	Ø A [mm]	G	H	D	□ B [mm]	C [mm]	E [mm]	F [mm]	L [mm]
GR03.081A	20	18	10	M5	M5	--	10	77	41.5	20	25

Dimensions



GR03.081A