

Spring levelers

Non-rotating spring levelers - threaded body

Non-rotating spring levelers - threaded body



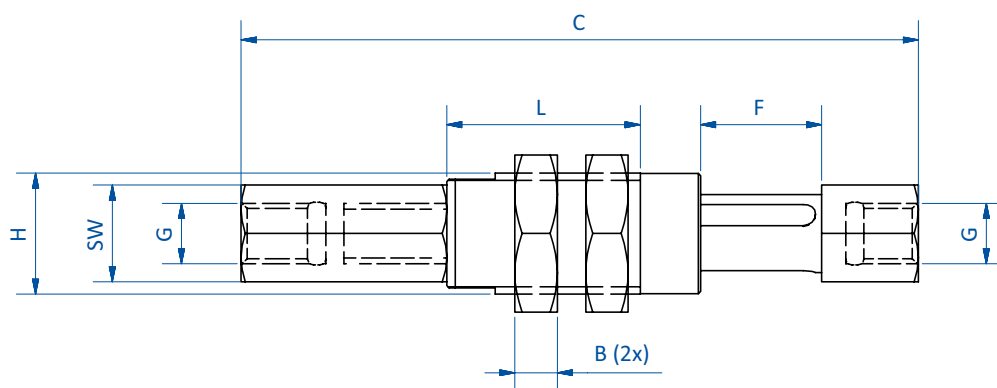
Product notes

- > Free moving and high-load capability with ball guide technology
- > Flexible mounting via threaded body
- > Body and rod made of anodised aluminium

Technical data

Item no.	Lift [mm]	Weight [g]
GR03.1010T	10	11
GR03.1025T	25	13
GR03.1210T	10	15
GR03.1225T	25	20
GR03.1620T	20	35
GR03.1635T	35	45
GR03.2025T	25	63
GR03.2050T	50	90
GR03.2540T	40	170

Dimensions

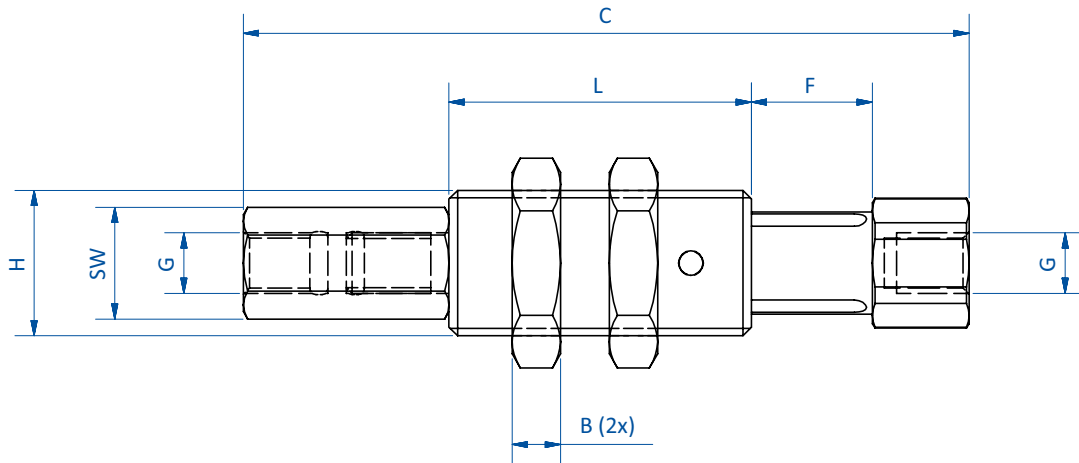


GR03.1010T | GR03.1025T

Spring levelers

Non-rotating spring levelers - threaded body

Dimensions



GR03.1210T | GR03.1225T | GR03.1620T | GR03.1635T | GR03.2025T | GR03.2050T | GR03.2540T | GR03.2580T

Item no.	H	B [mm]	C [mm]	L [mm]	G	F [mm]	SW
GR03.1010T	M10x1	3.5	56	16	M5	10	8
GR03.1025T	M10x1	3.5	90.5	35.5	M5	25	8
GR03.1210T	M12x1	4	60	25	M5	10	8
GR03.1225T	M12x1	4	94	44	M5	25	8
GR03.1620T	M16x1	5	98.5	38.5	G1/8	20	12
GR03.1635T	M16x1	5	135	58.5	G1/8	36.5	12
GR03.2025T	M20x1.5	6	113	50	G1/4	25	16
GR03.2050T	M20x1.5	6	170.5	82.5	G1/4	50	16
GR03.2540T	M25x1.5	8	159	71	G3/8	40	22
GR03.2580T	M25x1.5	8	249	121	G3/8	80	22