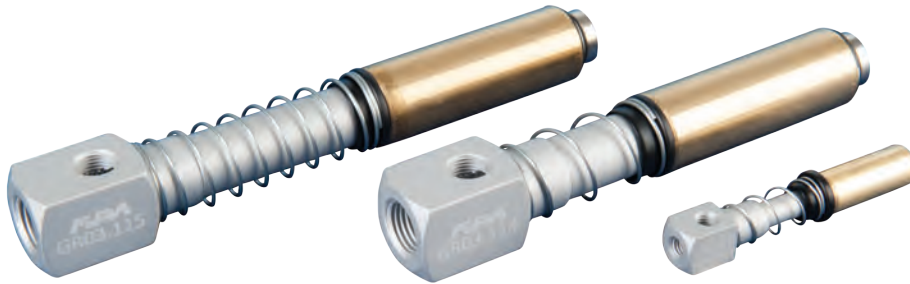




Spring compensated gripper arm for vacuum cups



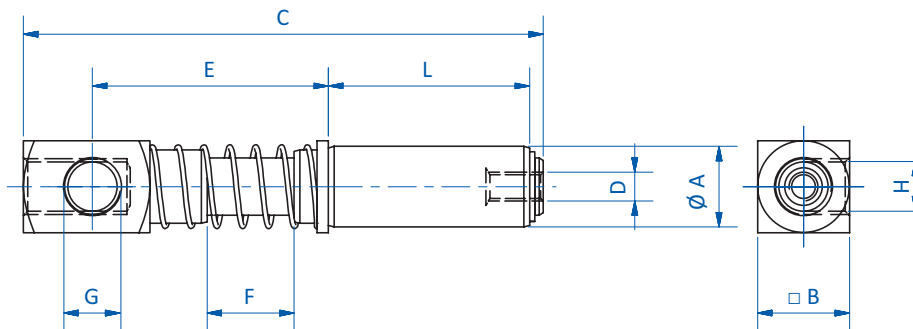
Product notes

- > Spring compensates for variation in ejection stroke
- > Smooth motion due to lubrication-free polymer bearing
- > Only for round vacuum cups

Technical data

Item no.	Technical data		Dimensions								
	Stroke [mm]	Weight [g]	∅ A [mm]	G	H	D	□ B [mm]	C [mm]	E [mm]	F [mm]	L [mm]
GR03.114	20	127	20	G1/8	G1/4	G1/8	20	127.5	50	20	55

Dimensions



GR03.114