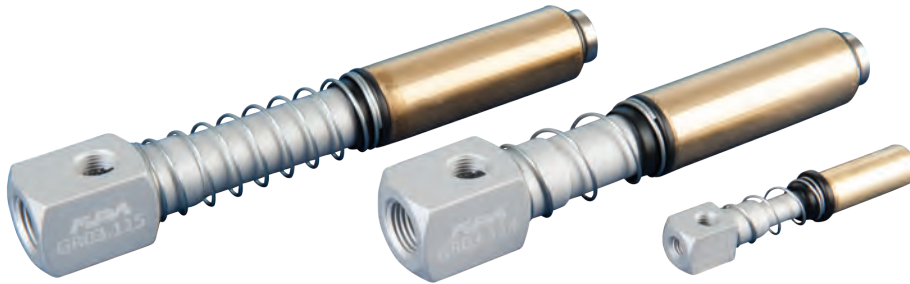




## Spring compensated gripper arm for vacuum cups



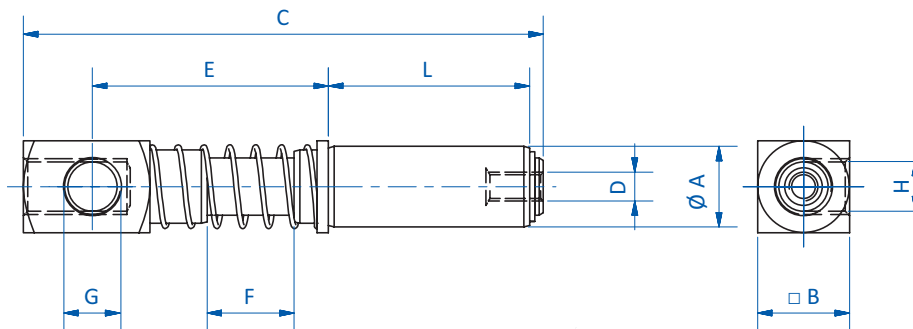
### Product notes

- > Spring compensates for variation in ejection stroke
- > Smooth motion due to lubrication-free polymer bearing
- > Only for round vacuum cups

### Technical data

Item no.	Stroke [mm]	Weight [g]	Dimensions								
			Ø A [mm]	G	H	D	□ B [mm]	C [mm]	E [mm]	F [mm]	L [mm]
GR03.115	40	136	20	G1/8	G1/4	G1/8	20	147.5	70	40	55

### Dimensions



GR03.115