



Grippers | Parallel grippers

2-finger parallel grippers - compact

2-finger parallel grippers - compact



Gripper (GR04.114) with mounting bracket (GR04.189)



Gripper (GR04.116) with two sensors (GR04.193P) to monitor piston position

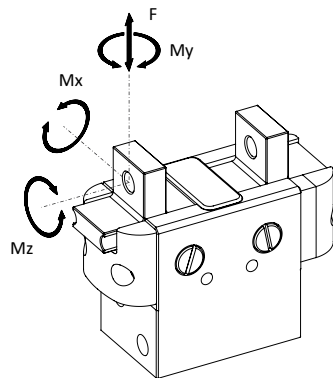
Product description

- > Grippers in small size with very high gripping force
- > Double-acting for inside / outside gripping and short duty cycles
- > Body and jaws made of high-strength aluminium alloy
- > Sensors for monitoring gripper action via detection of piston position optional

Technical data

Item no.	GR04.114	GR04.115	GR04.116
Principle of operation	Double-acting	Double-acting	Double-acting
Medium	Filtered and oiled / unoled air	Filtered and oiled / unoled air	Filtered and oiled / unoled air
Operating pressure [bar]	2 - 8	2 - 8	2 - 8
Piston diameter [mm]	25	32	40
Lift per gripper jaw [mm]	3	4	6
Closing force at 6 bar [N]	94	120	146
Opening force at 6 bar [N]	104	134	160
Max. jaw opening [mm]	25	32	40
Weight [g]	43	86	170
Accessories	Mounting bracket GR04.189 (p.174) Sensor GR04.193N (p.378) Sensor GR04.193P (p.378)	Mounting bracket GR04.190 (p.174) Sensor GR04.193N (p.378) Sensor GR04.193P (p.378)	Mounting bracket GR04.191 (p.174) Sensor GR04.193N (p.378) Sensor GR04.193P (p.378)

Max. forces and loads



	GR04.114	GR04.115	GR04.116
F s [N]	50	70	120
Mx s [Nm]	2	4	6
My s [Nm]	2	4	6
Mz s [Nm]	2	4	6
F d [N]	0.5	0.7	1.2
Mx d [Nm]	2	4	6
My d [Nm]	2	4	6
Mz d [Nm]	2	4	6
m 0.2 s [g]	50	70	120
m 0.5 s [g]	20	30	40
m 0.02 s [g]	15	20	--
m 0.01 s [g]	10	--	--