

Sprue grippers

Series 130 - sprue gripper, without sensor

Series 130 - sprue gripper, without sensor

SELF-CENTERING



GR04.131H

Product notes

- > Clamping diameter 20 mm
- > GR04.131B with rounded sawtooth for a higher gripping force
- > GR04.131H with interchangeable HNBR Pads for gentle gripping
- > Easy assembly / disassembly of the gripper jaws
- > Compatible to non self-centering when the centering bolt is removed
- > Body and jaws made of anodized aluminum
- > Principle of operation: Single-acting
- > Medium: Filtered and oiled / unoiled air

Technical data

Item no.	Max. operating pressure [bar]	Closing force at 6 bar [N]	Weight [g]	Replacement parts
GR04.131H	8	95	124	GR04.130C-4HNBR

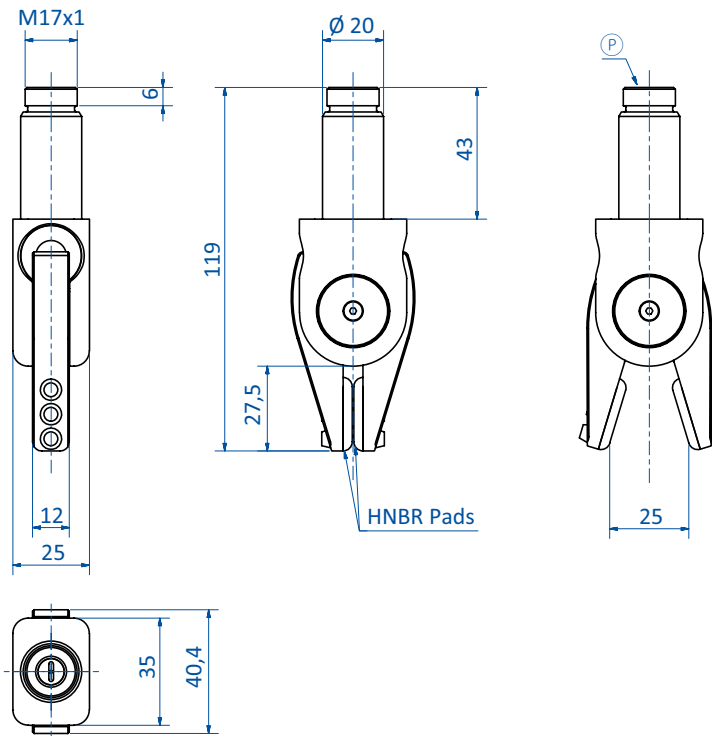
Exploded view of sprue gripper GR04.131H with locator pin



Sprue grippers

Series 130 - sprue gripper, without sensor

Dimensions



GR04.131H