



## Quick-change systems - square, robot side, without fittings

COMPATIBLE WITH GRIPPER MOUNTING PLATES IN INDUSTRY STANDARD SIZES



GR04.041



GR05.021 | GR05.031 | GR05.051

### Product description

- > Manual interface between robot and gripper system
- > Minimised down time due to fast gripper change
- > Comes in four sizes

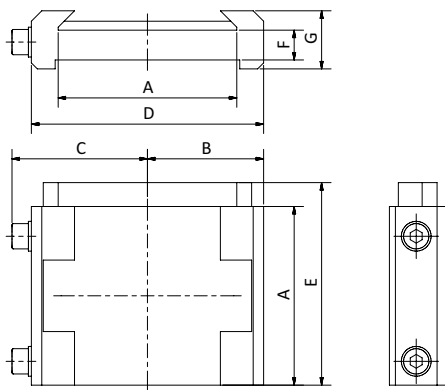
### Ordering notes

- > GR05.021, GR05.031, GR05.051: Clamping levers included in scope of delivery
- > GR05.041: Clamping levers optionally available
- > Base plates and pneumatic connections not included in scope of delivery

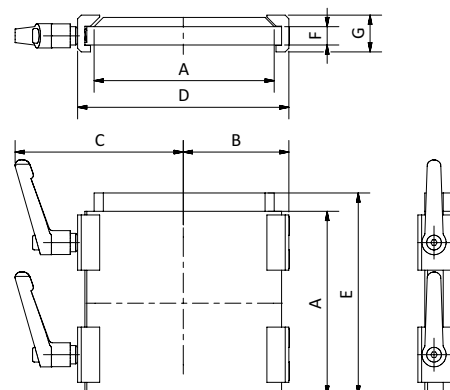
### Technical data

Item no.	Industry standard code	Number of pneumatic connections	Compatible hose $\varnothing$ [mm]	Max. lifting force [kg]	Weight [g]	Accessories
GR05.041	GR-0	5	6	5	315	Gripper base plate GR05.042 (p.14) Quick-connection couplers KIT1-GR05.041 Lever GR05.041-Hebel
GR05.021	GR-1	5	6	10	570	Gripper base plate GR05.022 (p.14) Quick-connection couplers KIT1-GR05.021
GR05.031	GR-2	5	3x6, 2x8	20	1,970	Gripper base plate GR05.032 (p.14) Gripper base plate GR-XL05.032 (p.14) Quick-connection couplers KIT1-GR05.031
GR05.051	GR-3	5	3x6, 2x8	40	4,520	Gripper base plate GR05.052 (p.14) Gripper base plate GR-XL05.052 (p.14) Quick-connection couplers KIT1-GR05.031

### Dimensions



GR05.041



GR05.021 | GR05.031 | GR05.051