



Nipper technology | Air nippers – manual and automatic operation

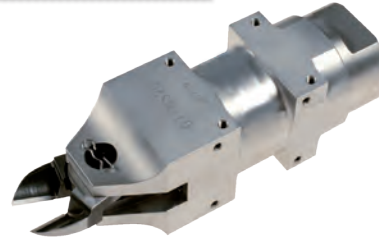
Air nippers – automatic, round/square

Air nippers – automatic, round/square

AIR NIPPERS FOR PLASTIC AND METAL



Air nippers, round



Air nippers, square

Product notes

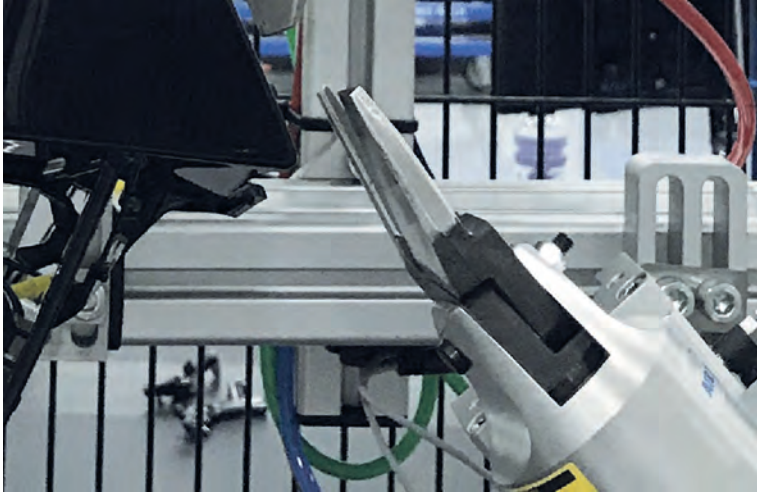
- > Air nippers for EOAT robot arms or cutting stations
- > Round body can be mounted in any angle position
- > Square body comes with bore holes on five surfaces
- > Rear air connection can be rotated 180°
- > GT-NS20H-1: air nipper with adjustable cutting opening
- > Pressure booster to increase cutting force optionally available

Technical data

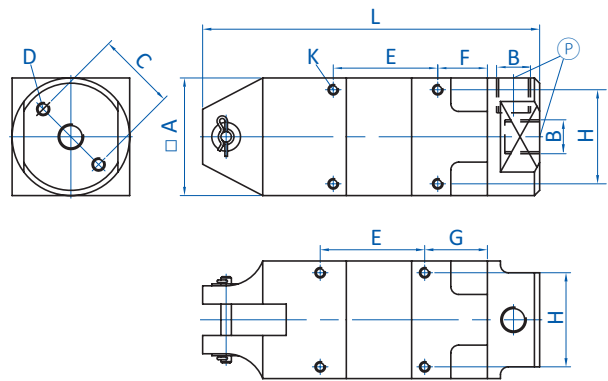
Item no.	Housing	Max. cutting force [N]	Air consumption [cm ³ /stroke]	Operating pressure [bar (psi)]	Height blade [mm]	Connection [G]	Accessories
GT-NS10L	Square	588	116	4 - 6 (58 - 87)	12	G1/8	Pressure amplifier: P-10L



Application example



Dimensions



Ⓟ = Compressed air connection

Item no.	A [mm]	B	C [mm]	D	E [mm]	F [mm]	G [mm]	H [mm]	K	L [mm]
GT-NS10L	36	G1/8	24	M4x10	30	18	23	28	M4x5.5	113