



# Nipper technology | Air nippers – stationary

Nippers for plastics – vertical, with stroke

## Nippers for plastics – vertical, with stroke



ADJUSTABLE BLADE OPENING AND REVERSABLE BLADES

### Product notes

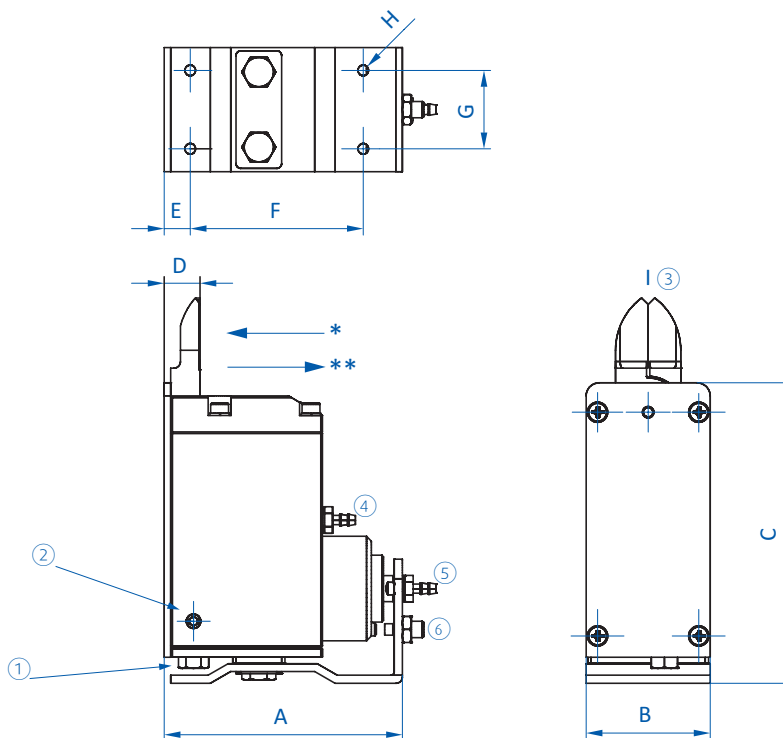
- > Nippers, lightweight and compact, for easy assembly in confined spaces
- > To be used in cutting stations
- > Adjustable horizontal stroke and maximum blade opening
- > Blades can be reversed to enable cutting flush to the workpiece
- > Max. opening width "I" refers to blades with index "AJ"
- > Blades are not included in the scope of delivery. Please order separately.

### Technical data

Item no.	Max. cutting force [N]	Air consumption [cm <sup>3</sup> /stroke]	Max. opening for cutting [mm]	Stroke [mm]	Effective direction	Operating pressure [bar (psi)]	Pipe connection with hose nipple [mm]	Pipe connection with quick connect fittings [mm]	Weight [g]
GT-NT03	147	27	1.5 - 3	0 - 3	Pull	4 - 5 (58 - 72.5)	2.5	--	178
GT-NT03R	147	27	1.5 - 3	0 - 3	Push	4 - 5 (58 - 72.5)	2.5	--	178
GT-NT03-4	147	27	1.5 - 3	0 - 3	Pull	4 - 5 (58 - 72.5)	--	4x2,5	178
GT-NT03R-4	147	27	1.5 - 3	0 - 3	Push	4 - 5 (58 - 72.5)	--	4x2,5	178



### Dimensions



\* = Push stroke \*\* = Pull stroke (Version -R) ① = Blade opening adjustment ② = Locking ③ = Max. blade opening ④ = Connection air nipper  
 ⑤ = Connection stroke movement ⑥ = Stroke adjustment

Item no.	A [mm]	B [mm]	C [mm]	D [mm]	E [mm]	F [mm]	G [mm]	H	I [mm]
GT-NT03	62	19	68.1	9	7	43	14	M3	3
GT-NT03R	62	19	68.1	9	7	43	14	M3	3
GT-NT03-4	62	19	68.1	9	7	43	14	M3	3
GT-NT03R-4	62	19	68.1	9	7	43	14	M3	3