



Nipper technology | Air nippers – stationary

Nippers for plastics – vertical, with stroke

Nippers for plastics – vertical, with stroke



ADJUSTABLE BLADE OPENING AND REVERSABLE BLADES

Product notes

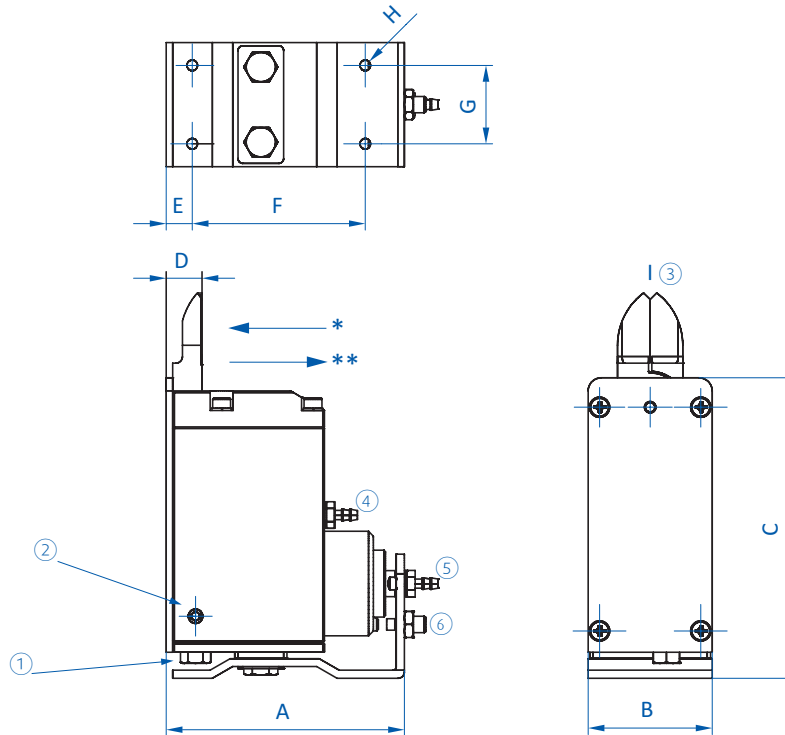
- > Nippers, lightweight and compact, for easy assembly in confined spaces
- > To be used in cutting stations
- > Adjustable horizontal stroke and maximum blade opening
- > Blades can be reversed to enable cutting flush to the workpiece
- > Max. opening width "I" refers to blades with index "AJ"
- > Blades are not included in the scope of delivery. Please order separately.

Technical data

Item no.	Max. cutting force [N]	Air consumption [cm ³ /stroke]	Max. opening for cutting [mm]	Stroke [mm]	Effective direction	Operating pressure [bar (psi)]	Pipe connection with hose nipple [mm]	Pipe connection with quick connect fittings [mm]	Weight [g]
GT-NT05	196	47	3 - 6	0 - 3	Pull	4 - 5 (58 - 72.5)	2.5	--	325
GT-NT05R	196	47	3 - 6	0 - 3	Push	4 - 5 (58 - 72.5)	2.5	--	325
GT-NT05-4	196	47	3 - 6	0 - 3	Pull	4 - 5 (58 - 72.5)	--	4x2,5	325
GT-NT05R-4	196	47	3 - 6	0 - 3	Push	4 - 5 (58 - 72.5)	--	4x2,5	325



Dimensions



* = Push stroke ** = Pull stroke (Version -R) ① = Blade opening adjustment ② = Locking ③ = Max. blade opening ④ = Connection air nipper
 ⑤ = Connection stroke movement ⑥ = Stroke adjustment

Item no.	A [mm]	B [mm]	C [mm]	D [mm]	E [mm]	F [mm]	G [mm]	H	I [mm]
GT-NT05	64	32	71.1	9	7	45	20	M4	6
GT-NT05R	64	32	71.1	9	7	45	20	M4	6
GT-NT05-4	64	32	71.1	9	7	45	20	M4	6
GT-NT05R-4	64	32	71.1	9	7	45	20	M4	6