



Stationary air nippers – horizontal with stroke



Product notes

- > Nippers, lightweight and compact, for easy assembly in restricted spaces
- > To be used with cutting stations or automated equipment
- > Stroke single-acting with return spring
- > Horizontal, adjustable stroke enables cutting flush to the workpiece
- > Connection via hose nipples or quick fittings
- > Version (-R): push stroke models
- > All others: pull stroke models
- > Max. opening width and length "K" refer to blades with index "AJ" or "RAJ"
- > Blades are not included in the scope of delivery. Please order separately.

Technical data

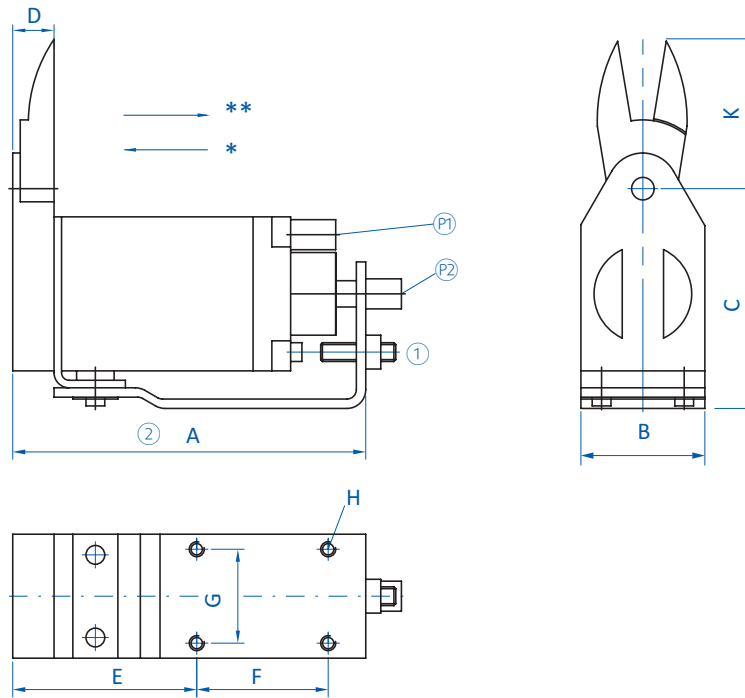
Item no.	Max. cutting force [N]	Air consumption [cm ³ /stroke]	Max. stroke [mm]	Effective direction	Operating pressure [bar (psi)]	Pipe connection with hose nipple [mm]	Pipe connection with quick connect fittings [mm]	Weight [g]
GT-NY15	784	136	3	Pull	4 - 5 (58 - 72.5)	2.5	--	319
GT-NY15R	784	136	3	Push	4 - 5 (58 - 72.5)	2.5	--	319
GT-NY15-4	784	136	3	Pull	4 - 5 (58 - 72.5)	--	4x2,5	319
GT-NY15R-4	784	136	3	Push	4 - 5 (58 - 72.5)	--	4x2,5	319



Nipper technology | Air nippers – stationary

Stationary air nippers – horizontal with stroke

Dimensions



Ⓟ = Compressed air connection for cutting Ⓠ = Compressed air connection for stroke * = Push stroke (Version -R) ** = Pull stroke
 ① = Stroke adjustment
 ② = Models NY-R: A = Distance from start of nipper to cutting position / Models NY: A = Distance from start of nipper to starting position

Item no.	A [mm]	B [mm]	C [mm]	D [mm]	E [mm]	F [mm]	G [mm]	H	K [mm]
GT-NY15	93	33	58	10	48	35	25	M4	27
GT-NY15R	93	33	58	10	48	35	25	M4	27
GT-NY15-4	93	33	58	10	48	35	25	M4	27
GT-NY15R-4	93	33	58	10	48	35	25	M4	27