



### Blades for metal, angled



#### Product notes

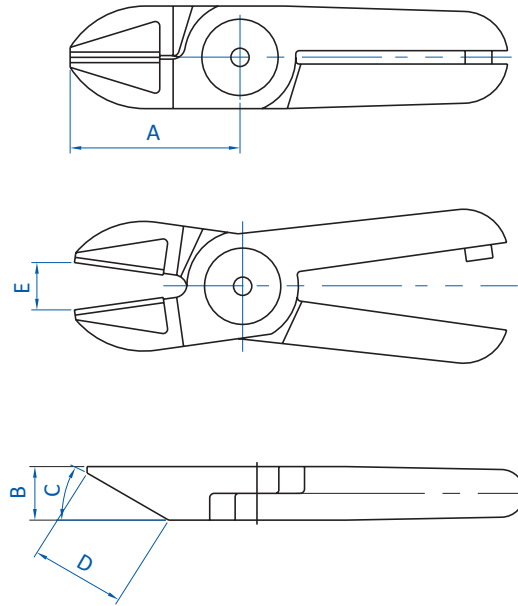
- > Blades with a beveled cutting edge using the anvil principle
- > N30BBB and N50BBB: blades with carbide tips to cut hard wire such as high steel wire or piano wire

#### Technical data

Item no.	Material	Max. cutting thickness [mm]			Weight [g]	Air nippers
		Copper wire	Steel wire	Piano wire		
<b>N10HS</b>	HSS steel	2.3	1.7	--	85	GT-N10



## Dimensions



Item no.	A [mm]	B [mm]	C [°]	D [mm]	E [mm]
N10HS	27	9	30	13.5	5