



# Nipper technology | Air nippers – manual and automatic operation

Blades for plastic, angled

## Blades for plastic, angled



### Product notes

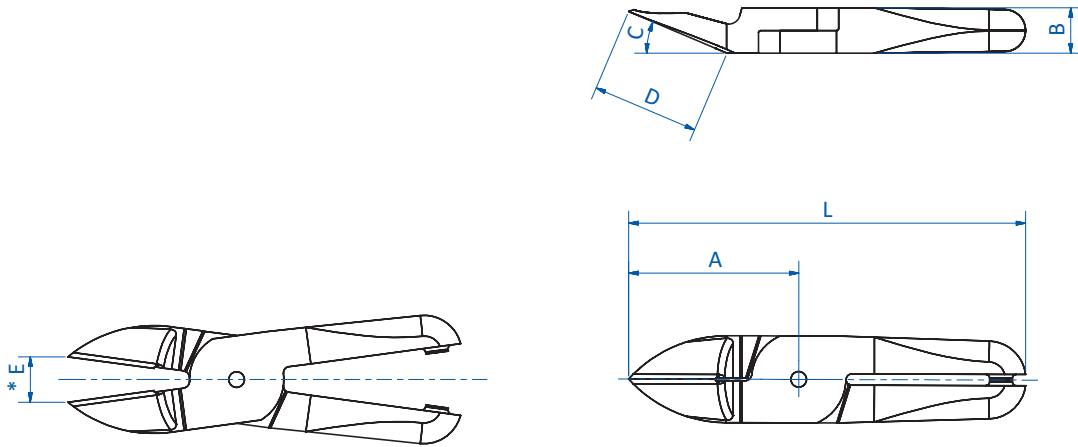
- > Blades with angled cutting edge
- > Model PF: blades with deep angle
- > All other blades with standard angle

### Technical data

Item no.	Material	Max. cutting thickness [mm]		Weight [g]	Air nippers
		PP/PE	ABS		
N12AP	Ferrous alloy	4.5	4	135	GT-N12 (p.288)



## Dimensions



\* = width of opening

Item no.	A [mm]	B [mm]	C [°]	D [mm]	E [mm]	L [mm]
N12AP	35	12	15	16	5	105