



Singular blades for plastic, Z-shape



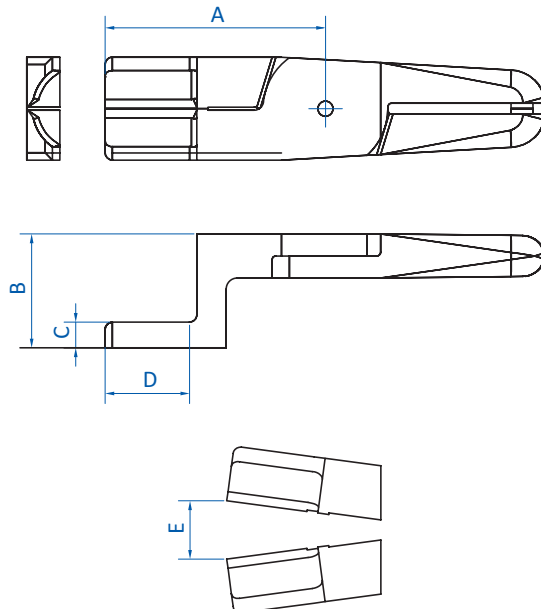
Product notes

- > Blades with offset cutting edge for overcoming obstacles or for narrow sprues

Technical data

Item no.	Material	Max. cutting thickness [mm]		Weight [g]	Air nippers
		PP/PE	ABS		
N20AH	Ferrous alloy	7	5	240	GT-N20 GT-NR20 GT-NS20

Dimensions



Item no.	A [mm]	B [mm]	C [mm]	D [mm]	E [mm]
N20AH	60	31	7	23	16