



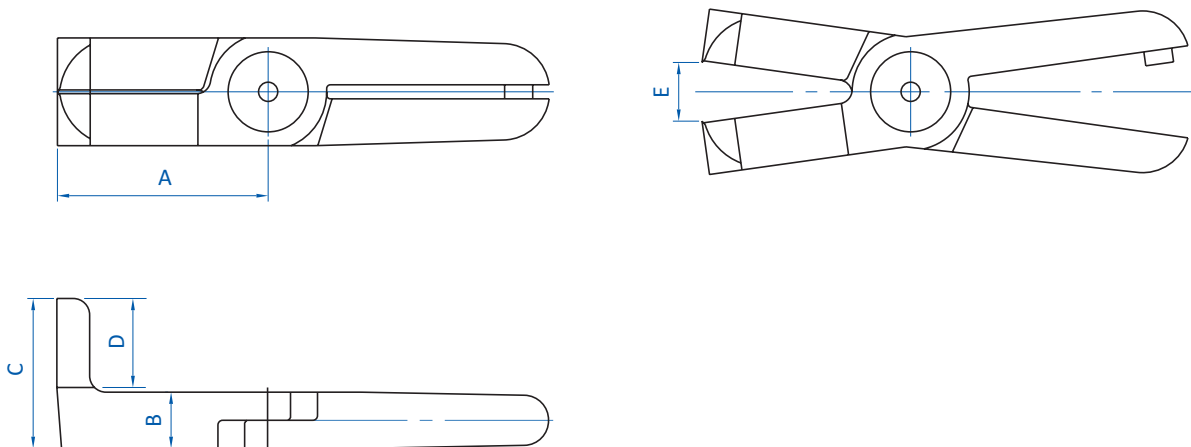
Product notes

Long blades with 90° angle for clean cuts

Technical data

tem no.	Material	Max. cutting thickness [mm]		Weight [g]	Air nippers
		PP/PE	ABS		
V20AL	Ferrous alloy	7	5	135	GT-N20 GT-NR20 GT-NS20

Dimensions



tem no.	A [mm]	B [mm]	C [mm]	D [mm]	E [mm]
V20AL	45	12	32	18	12