



Nipper technology | Air nippers – manual and automatic operation

Blades for plastic, straight

Blades for plastic, straight



Product notes

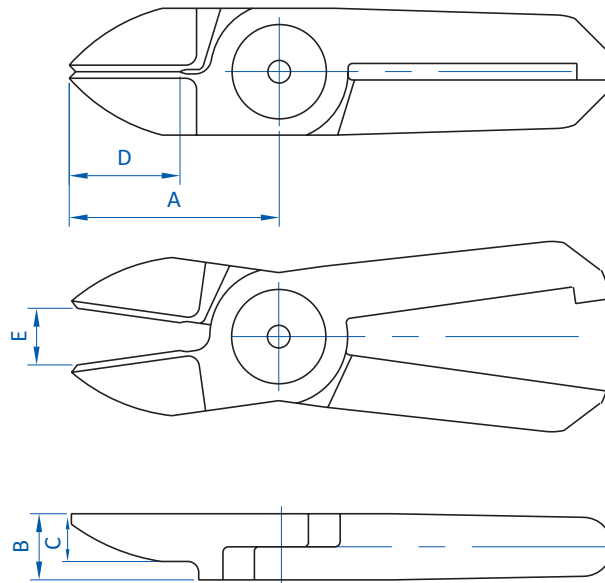
- > Blades with straight cutting edge for clean cuts
- > AJ, LAB2 and AB39: standard blade
- > AJL: blade extra long

Technical data

Item no.	Material	Max. cutting thickness [mm]		Weight [g]	Air nippers
		PP/PE	ABS		
N30AJ	Ferrous alloy	10	6.5	370	GT-N30 GT-NR30 GT-NS30
N30AJL	Ferrous alloy	10	6.5	470	GT-N30 GT-NR30 GT-NS30



Dimensions



Item no.	A [mm]	B [mm]	C [mm]	D [mm]	E [mm]
N3AJ	24	7	4	12	5.5
N10LAB2	61	12	7	36	10
N20AJ	35	12	8	18	11
N20AB39	61	12	7	36	14
N20AJL	65	12	7	20	16
N30AJ	52	17	8	28	11
N30AJL	75	17	8	25	19
N50AJL	110	25	15	35	26