



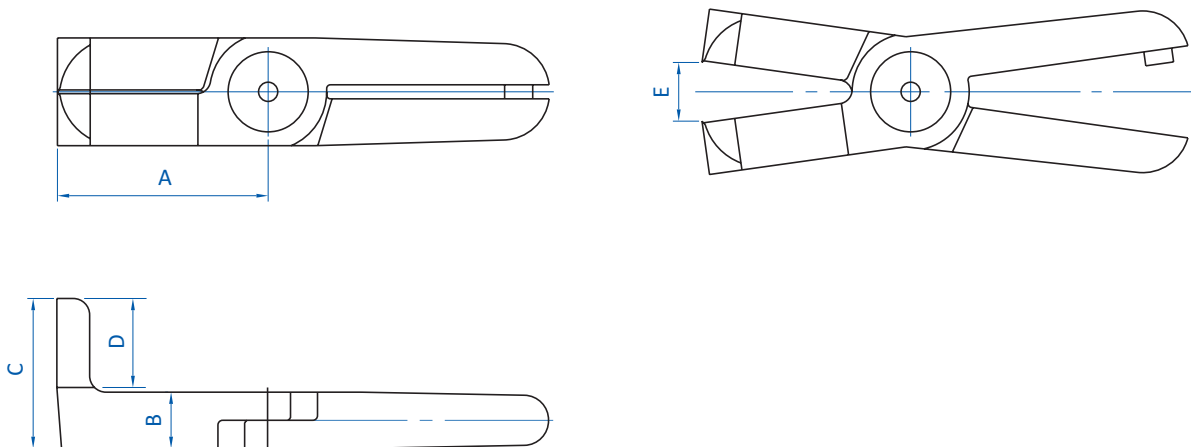
## Product notes

Long blades with 90° angle for clean cuts

## Technical data

tem no.	Material	Max. cutting thickness [mm]		Weight [g]	Air nippers
		PP/PE	ABS		
V30AL525	Ferrous alloy	10	6.5	395	GT-N30 GT-NR30 GT-NS30

## Dimensions



tem no.	A [mm]	B [mm]	C [mm]	D [mm]	E [mm]
V30AL525	60	17	62	36	16