



### Blades for plastic, laterally facing



#### Product notes

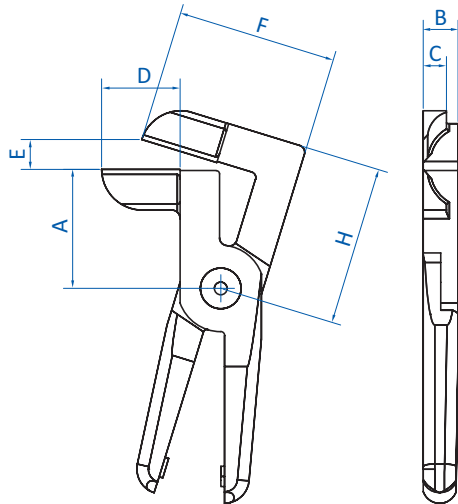
- > Blades with 90° bend cutting edge for sprues in restricted spaces, e.g. sprues of two opposing parts
- > AML: blade with left orientation
- > AMR: blade with right orientation

#### Technical data

Item no.	Material	Max. cutting thickness [mm]		Weight [g]	Air nippers
		PP/PE	ABS		

<b>N30AML</b>	Ferrous alloy	15x2	10x1.5	520	GT-N30, GT-NR30, GT-NS30
---------------	---------------	------	--------	-----	--------------------------

#### Dimensions



N30AML

Item no.	A [mm]	B [mm]	C [mm]	D [mm]	E [mm]	F [mm]	H [mm]
----------	--------	--------	--------	--------	--------	--------	--------

<b>N30AML</b>	39	17	10	36	13	68	55
---------------	----	----	----	----	----	----	----