



Blades for plastic, laterally facing



Product notes

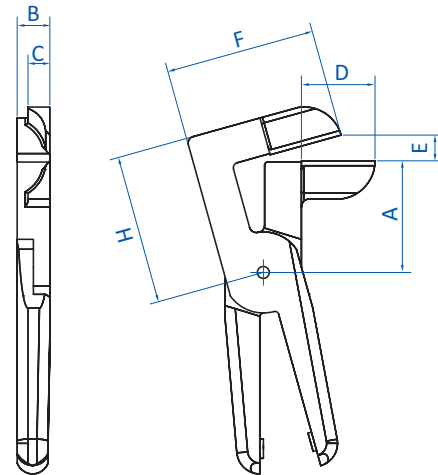
- > Blades with 90° bend cutting edge for sprues in restricted spaces, e.g. sprues of two opposing parts
- > AML: blade with left orientation
- > AMR: blade with right orientation

Technical data

| Item no. | Material | Max. cutting thickness [mm] | | Weight [g] | Air nippers |
|----------|----------|-----------------------------|-----|------------|-------------|
| | | PP/PE | ABS | | |

| | | | | | |
|---------------|---------------|------|--------|-----|--------------------------|
| N30AMR | Ferrous alloy | 15x2 | 10x1.5 | 520 | GT-N30, GT-NR30, GT-NS30 |
|---------------|---------------|------|--------|-----|--------------------------|

Dimensions



N30AMR

| Item no. | A [mm] | B [mm] | C [mm] | D [mm] | E [mm] | F [mm] | H [mm] |
|----------|--------|--------|--------|--------|--------|--------|--------|
|----------|--------|--------|--------|--------|--------|--------|--------|

| | | | | | | | |
|---------------|----|----|----|----|----|----|----|
| N30AMR | 39 | 17 | 10 | 36 | 13 | 68 | 55 |
|---------------|----|----|----|----|----|----|----|