



### Blades for plastic, angled



#### Product notes

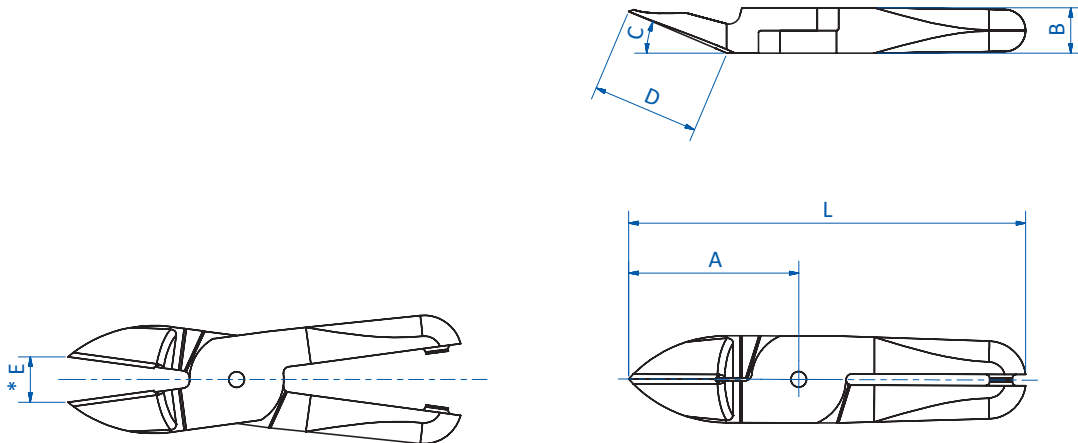
- > Blades with angled cutting edge
- > Model PF: blades with deep angle
- > All other blades with standard angle

#### Technical data

Item no.	Material	Max. cutting thickness [mm]		Weight [g]	Air nippers
		PP/PE	ABS		
<b>N30AP</b>	Ferrous alloy	10	6.5	380	GT-N30 (p.288), GT-NR30 (p.286), GT-NS30 (p.286)



## Dimensions



N3AP | N5AP | N7AP | N7PF | N10AP | N10LAB152 | N10LAP | N10LPF | N12AP | N20AA239 | N20AA27 | N20AB360 | N20AP | N20PF | N30AP | N30PF

\* = width of opening

Item no.	A [mm]	B [mm]	C [°]	D [mm]	E [mm]	L [mm]
N30AP	66	17	15	38	16	150