



# Nipper technology | Air nippers – manual and automatic operation

Blades for metal, angled

## Blades for metal, angled



### Product notes

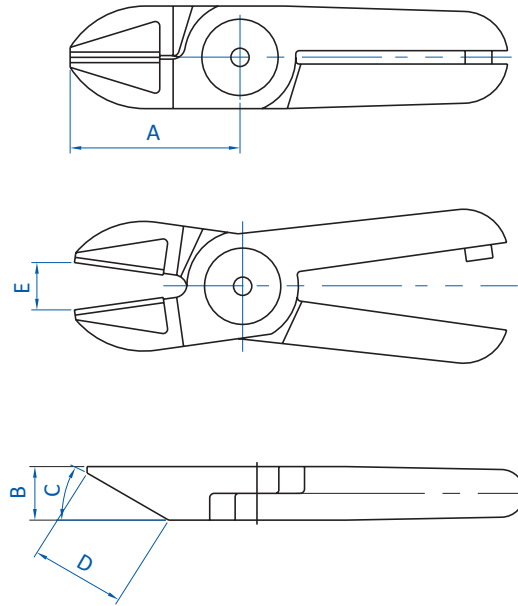
- > Blades with a beveled cutting edge using the anvil principle
- > N30BBB and N50BBB: blades with carbide tips to cut hard wire such as high steel wire or piano wire

### Technical data

Item no.	Material	Max. cutting thickness [mm]			Weight [g]	Air nippers
		Copper wire	Steel wire	Piano wire		
N30AS	Ferrous alloy	3.3	2.8	--	370	GT-N30, GT-NR30, GT-NS30



## Dimensions



Item no.	A [mm]	B [mm]	C [°]	D [mm]	E [mm]
----------	--------	--------	-------	--------	--------

N30AS	43	17	30	25	9
-------	----	----	----	----	---