



Blades for plastic, angled



Model PF

Product notes

- > Blades with angled cutting edge
- > Model PF: blades with deep angle
- > All other blades with standard angle

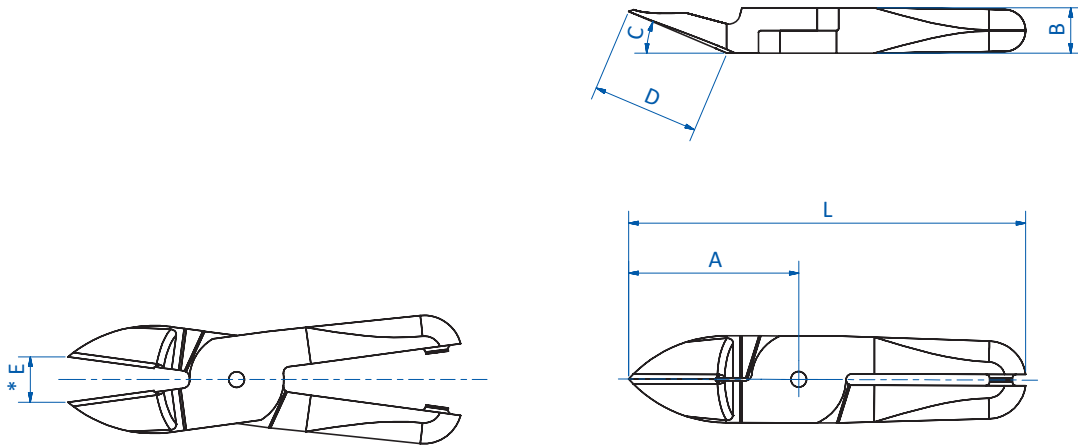
Technical data

Item no.	Material	Max. cutting thickness [mm]		Weight [g]	Air nippers
		PP/PE	ABS		

N30PF	Ferrous alloy	10	6.5	390	GT-N30 (p.288), GT-NR30 (p.286), GT-NS30 (p.286)
--------------	---------------	----	-----	-----	--



Dimensions



* = width of opening

Item no.	A [mm]	B [mm]	C [°]	D [mm]	E [mm]	L [mm]
----------	--------	--------	-------	--------	--------	--------

N30PF	58	17	30	25	15	142
-------	----	----	----	----	----	-----