



Nipper technology | Air nippers – manual and automatic operation

Blades for plastic, straight

Blades for plastic, straight



Product notes

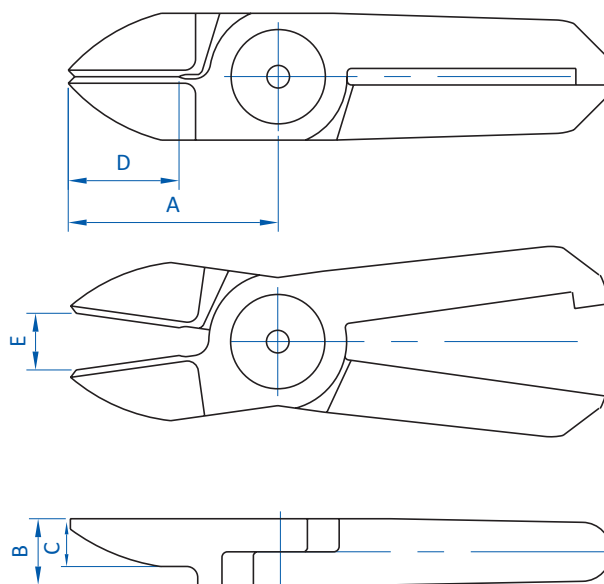
- > Blades with straight cutting edge for clean cuts
- > AJ, LAB2 and AB39: standard blade
- > AJL: blade extra long

Technical data

Item no.	Material	Max. cutting thickness [mm]		Weight [g]	Air nippers
		PP/PE	ABS		
N3AJ	Ferrous alloy	2	--	40	GT-N3 GT-NR3 GT-NS3



Dimensions



Item no.	A [mm]	B [mm]	C [mm]	D [mm]	E [mm]
N3AJ	24	7	4	12	5.5